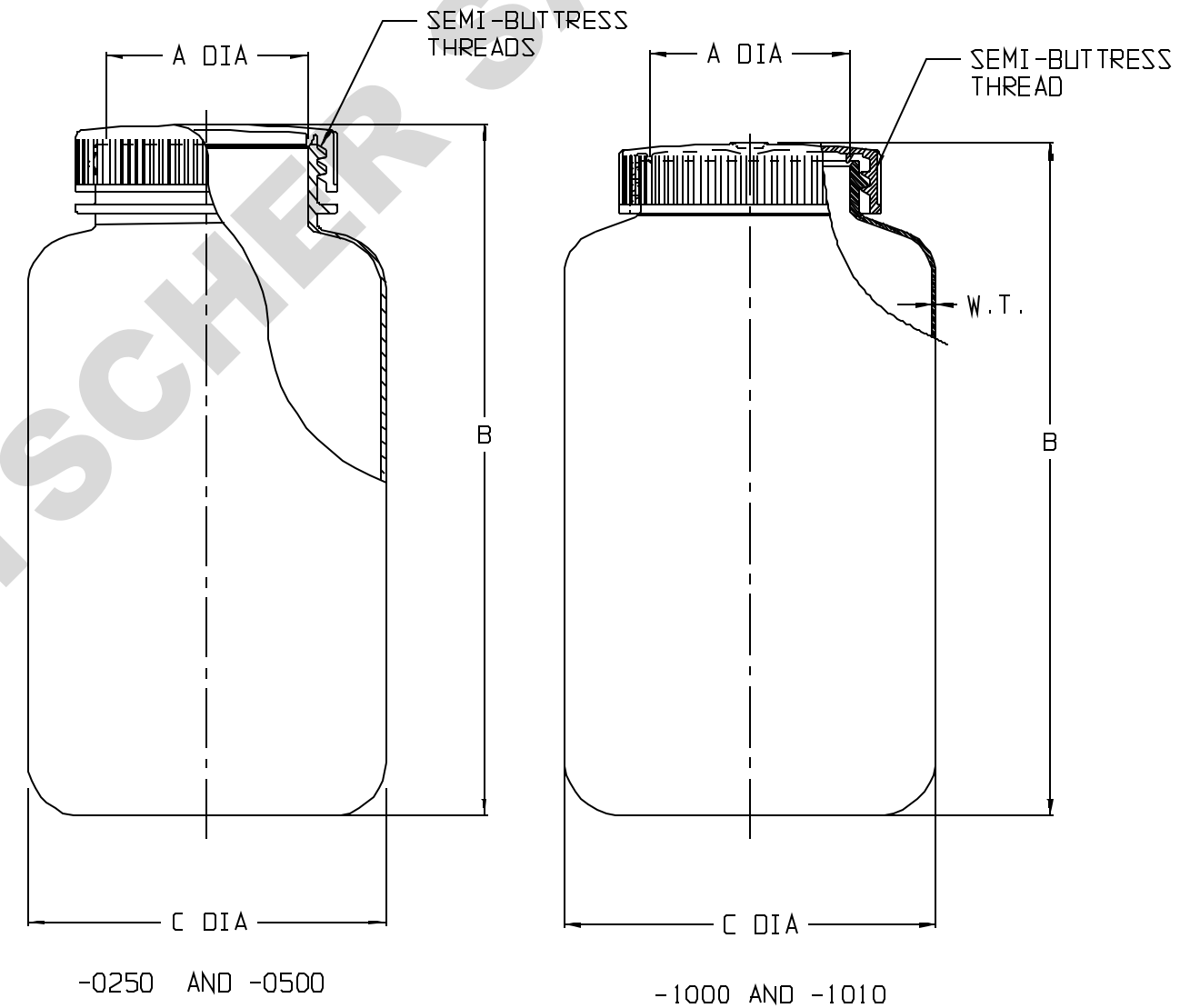


CATALOG NO.	NOMINAL CAPACITY, (mL)			MATERIALS	
				BOTTLE	CLOSURE
3122	250	500	1000	PC	PP

SIZE CODE.....	-0250		-0500	
NOM. CAP. (mL).....	250		500	
CLOSURE SIZE (mm)...	38		48	
	INCH	MM	INCH	MM
A (NECK I.D.).....	1.14	29.0	1.41	35.8
B (HT. W/CLOSURE)...	4.93 ± 0.04	125.2 ± 1.0	6.65 ± 0.05	168.9 ± 1.3
C (DIA).....	2.432 <sup>+0.000</sup> <sub>-.020</sub>	61.77 <sup>+0.00</sup> <sub>-.51</sub>	2.737 <sup>+0.000</sup> <sub>-.030</sub>	69.52 <sup>+0.00</sup> <sub>-.76</sub>

SIZE CODE.....	-1000		-1010	
NOM. CAP. (mL).....	1000		1000	
CLOSURE SIZE (mm)...	63		63	
	INCH	MM	INCH	MM
A (NECK I.D.).....	2.07	52.6	2.07	52.6
B (HT. W/CLOSURE)...	6.97 ± 0.06	177.0 ± 1.5	6.88 ± 0.06	169.7 ± 1.5
C (DIA).....	3.865 <sup>+0.000</sup> <sub>-.065</sub>	98.17 <sup>+0.00</sup> <sub>-1.65</sub>	3.865 <sup>+0.000</sup> <sub>-.065</sub>	98.17 <sup>+0.00</sup> <sub>-1.65</sub>



SPECS ON BACK

NOT TO SCALE

NOTES:

1. ALL DIMENSIONS ARE NOMINAL AND IN INCHES AND MILLIMETERS UNLESS OTHERWISE NOTED.
2. THIS IS NOT A PRODUCTION DRAWING, BUT IS FOR INFORMATIONAL PURPOSES ONLY, AND IS SUBJECT TO CHANGE WITHOUT NOTICE.

CONFIDENTIAL

THIS PRODUCT SPECIFICATION SHEET CONTAINS CONFIDENTIAL AND/OR PROPRIETARY INFORMATION AND IS TO BE USED ONLY FOR THE EXPRESSED PURPOSES AGREED UPON BY AN AUTHORIZED OFFICER OF THERMO FISHER SCIENTIFIC.

**ThermoFisher**  
SCIENTIFIC

Thermo Fisher Scientific  
75 Panorama Creek Drive  
Rochester, NY 14625-2385, USA

MADE	TL	APP'D	GRP	PSS 00-3122-XXXX-1	REV.
CR'D	PB		9/30/09		0909

DESCRIPTION:

CENTRIFUGE BOTTLES