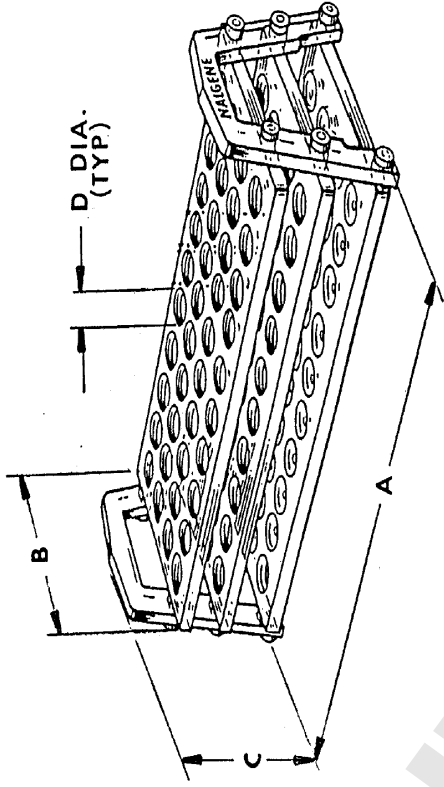


CATALOG NO. ....	5930-0013	5930-0016	5930-0020	
TEST TUBE SIZE (mm) ..	13	16	20	
MATERIAL .....	WHITE PP	WHITE PP	WHITE PP	
NOM. WEIGHT (gms) .....	255	250	230	
	IN.	MM	IN.	
A (LENGTH) .....	11.20 ± 0.07	284.5 ± 1.8	11.16 ± 0.07	283.0 ± 1.8
B (WIDTH) .....	4.55 ± 0.05	115.6 ± 1.3	4.55 ± 0.05	115.6 ± 1.3
C (HEIGHT) .....	3.90 ± 0.05	99.0 ± 1.3	3.90 ± 0.05	99.0 ± 1.3
D (DIA) .....	0.54 ± 0.01	13.7 ± 0.3	0.67 ± 0.01	17.0 ± 0.3
HOLE ARRAY .....	6 x 12	4 x 10	4 x 10	4 x 10

CATALOG NO. ....	5930-0025	5930-0030		
TEST TUBE SIZE (mm) ..	25	30		
MATERIAL .....	WHITE PP	WHITE PP		
NOM. WEIGHT (gms) .....	280	260		
	IN.	MM		
A (LENGTH) .....	12.7 ± 0.1	322.6 ± 2.5	12.7 ± 0.1	322.6 ± 2.5
B (WIDTH) .....	4.55 ± 0.05	115.6 ± 1.3	4.55 ± 0.05	115.6 ± 1.3
C (HEIGHT) .....	3.90 ± 0.05	99.0 ± 1.3	3.90 ± 0.05	99.0 ± 1.3
D (DIA) .....	1.03 ± 0.01	26.2 ± 0.3	1.18 ± 0.01	30.0 ± 0.3
HOLE ARRAY .....	3 x 8	3 x 8	3 x 8	3 x 8

- NOTES:
1. ALL DIMENSIONS ARE NOMINAL AND IN INCHES AND MILLIMETERS UNLESS OTHERWISE NOTED.
  2. THIS IS NOT A PRODUCTION DRAWING, BUT IS FOR INFORMATIONAL PURPOSES ONLY, AND IS SUBJECT TO CHANGE WITHOUT NOTICE.



Höhe bis Unterkante Boden 1: 2 mm  
 Dicke Boden 1, 2, 3 (mit Rändern): 8 mm  
 Dicke Boden 2 und 3 (ohne Ränder): 2 mm  
 Abstand der Böden jeweils 21 mm zueinander

SPECS ON BACK

NOT TO SCALE

**ThermoFisher**  
**SCIENTIFIC**

Thermo Fisher Scientific  
 75 Pancosmo Creek Drive  
 Rochester, NY 14625-2385, USA

MATERIAL	MC	APP'D	PVC	PSS	00-5930-XXXX	REV	0799
DATE	PVC		7/14/99				

TEST TUBE RACK

CONFIDENTIAL

THIS PRODUCT SPECIFICATION SHEET CONTAINS CONFIDENTIAL AND/OR PROPRIETARY INFORMATION AND IS TO BE USED ONLY FOR THE EXPRESSED PURPOSES AGREED UPON BY AN AUTHORIZED OFFICER OF THERMO FISHER SCIENTIFIC.