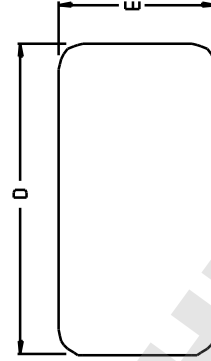
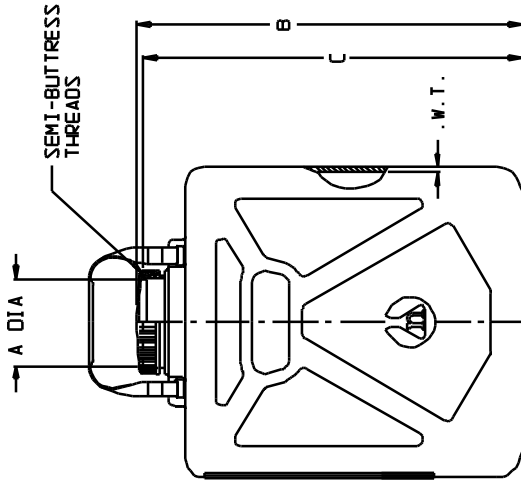


CATALOG NO.	NOMINAL CAPACITY (GAL)	MATERIALS		
		CARBODY	CLOSURE	
002211	2	HDPE	WHITE	PP
002212	2	PP	WHITE	PP
* 0S2213	2	PC	WHITE	PP

* NOTE: CATALOG NO. 2213 ARE CLEARBOYS™ (TRANSPARENT CARBOYS)

SIZE CODE	-0020		-0050	
	INCHES	MM	INCHES	MM
SIZE (NOM VOL L/GAL)	9/ 2	9	20/ 5	21
NOM. BRIM CAP. (L)	9	100-415	100-415	5
NECK FINISH (mm)	5	850	1600	
THREAD (T.P.I.)				
NOM. WEIGHT W/ CLOSURE (gms)				
A (NECK I. O.)	3.40 ± .25	86.4 ± 6.35	3.40 ± .25	86.4 ± 6.35
B (HT. W/ CLOSURE)	14.2 ± .2	360.7 ± 5.1	15.7 ± .2	398.8 ± 5.1
C (HT. W/O CLOSURE)	13.8 ± .2	350.5 ± 5.1	15.3 ± .2	388.6 ± 5.1
D (WIDTH)	8.66 ± .16	220.0 ± 5.1	12.6 ± .2	320.0 ± 5.1
E (DEPTH)	6.03 ± .12	153.2 ± 3.1	9.0 ± .2	228.6 ± 5.1
W.T. (NOM WALL THK)	0.08	2.0	0.08	2.0

- NOTES:
1. ALL DIMENSIONS ARE NOMINAL AND IN INCHES AND MILLIMETERS UNLESS OTHERWISE NOTED.
 2. THIS IS NOT A PRODUCTION DRAWING. BUT IS FOR INFORMATIONAL PURPOSES ONLY, AND IS SUBJECT TO CHANGE WITHOUT NOTICE.



SPECS ON BACK

NOT TO SCALE

ThermoFisher
SCIENTIFIC

Thermo Fisher Scientific
75 Panorama Creek Drive
Rochester, NY 14625-2385, USA

DATE: MG/JDD
REV: J0
DATE: 9/18/07
CRP

PSS 00-221X-XXXX-1

REV: 0907

RECTANGULAR CARBOYS

CONFIDENTIAL

THIS PRODUCT SPECIFICATION SHEET CONTAINS CONFIDENTIAL AND/OR PROPRIETARY INFORMATION AND IS TO BE USED ONLY FOR THE EXPRESSED PURPOSES AGREED UPON BY AN AUTHORIZED OFFICER OF THERMO FISHER SCIENTIFIC.