

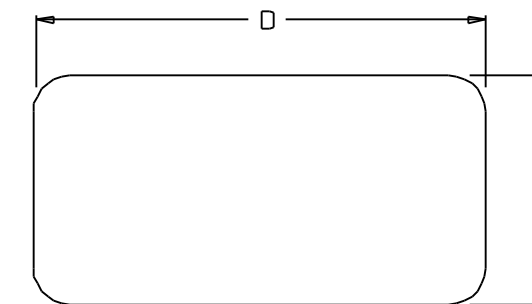
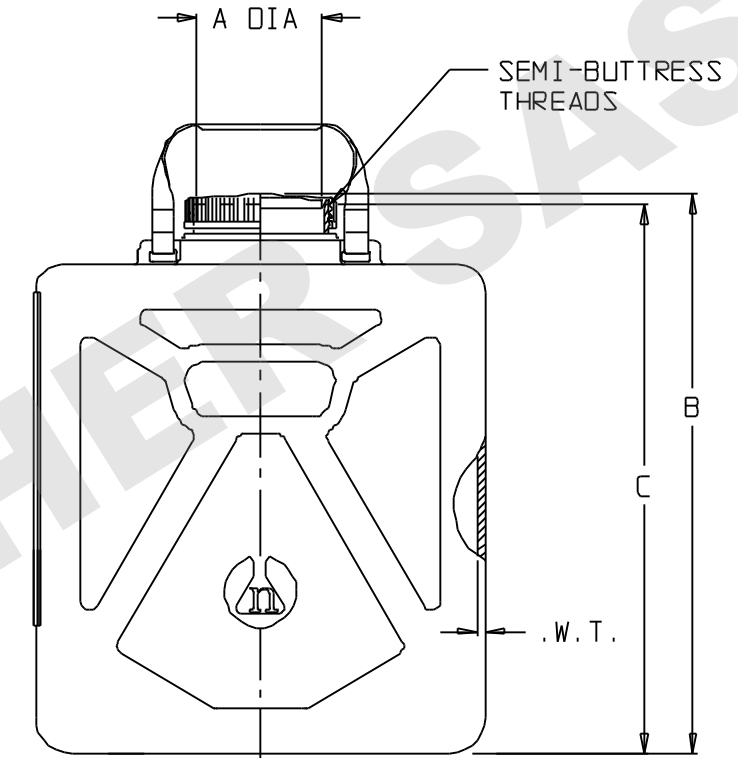
CATALOG NO.	NOMINAL CAPACITY (GAL)		MATERIALS	
			CARBOY	CLOSURE
002211	2	5	HDPE	WHITE PP
002212	2	5	PP	WHITE PP
* 0S2213	2	5	PC	WHITE PP

* NOTE: CATALOG NO. 2213 ARE
CLEARBOYS™ (TRANSPARENT CARBOYS)

SIZE CODE.....	-0020		-0050	
SIZE (NOM VOL L/GAL):	9/ 2		20/ 5	
NOM. BRIM CAP. (L):	9		21	
NECK FINISH (mm):	100-415		100-415	
THREAD (T.P.I.):	5		5	
NOM. WEIGHT W/ CLOSURE(gns):	850		1600	
	INCHES	MM	INCHES	MM
A (NECK I.D.):	3.40 ± .25	86.4 ±6.35	3.40 ± .25	86.4 ±6.35
B (HT. W/ CLOSURE):	14.2 ±.2	360.7 ±5.1	15.7 ±.2	398.8 ±5.1
C (HT. W/O CLOSURE):	13.8 ±.2	350.5 ±5.1	15.3 ±.2	388.6 ±5.1
D (WIDTH):	8.66 ±.16	220.0 ±5.1	12.6 ±.2	320.0 ±5.1
E (DEPTH):	6.03 ±.12	153.2 ±3.1	9.0 ±.2	228.6 ±5.1
W.T.(NOM WALL THK):	0.08	2.0	0.08	2.0

NOTES:

1. ALL DIMENSIONS ARE NOMINAL AND IN INCHES AND MILLIMETERS UNLESS OTHERWISE NOTED.
2. THIS IS NOT A PRODUCTION DRAWING, BUT IS FOR INFORMATIONAL PURPOSES ONLY, AND IS SUBJECT TO CHANGE WITHOUT NOTICE.



SPECS ON BACK

NOT TO SCALE

CONFIDENTIAL

THIS PRODUCT SPECIFICATION SHEET CONTAINS CONFIDENTIAL AND/OR PROPRIETARY INFORMATION AND IS TO BE USED ONLY FOR THE EXPRESSED PURPOSES AGREED UPON BY AN AUTHORIZED OFFICER OF THERMO FISHER SCIENTIFIC.

**ThermoFisher
SCIENTIFIC**

Thermo Fisher Scientific
75 Panorama Creek Drive
Rochester, NY 14625-2385, USA

MADE MG/JDD
CK'D JD

APP'D GRP
9/18/07

PSS 00-221X-XXXX-1

REV.
0907

DESCRIPTION:

RECTANGULAR CARBOYS