

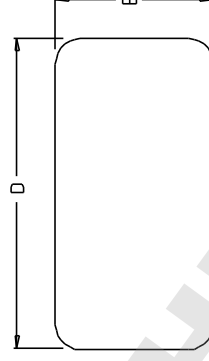
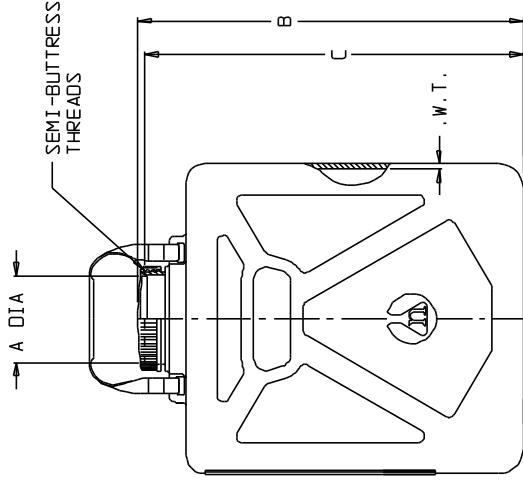
CATALOG NO.	NOMINAL CAPACITY (GAL)	MATERIALS	
		CARBOY	CLOSURE
002211	2	HOPE	WHITE PP
002212	2	PP	WHITE PP
* 0S2213	2	PC	WHITE PP

* NOTE: CATALOG NO. 2213 ARE
CLEARBOYS™ (TRANSPARENT CARBOYS)

SIZE CODE.....	-0020	-0050		
SIZE (NOM VOL L/GAL):	9/ 2	20/ 5		
NOM. BRIM CAP. (L):	9	21		
NECK FINISH (mm):	100-415	100-415		
THREAD (T.P.I.):	5	5		
NOM. WEIGHT W/ CLOSURE (gms):	850	1600		
	INCHES	MM	INCHES	MM
A (NECK I.D.):	3.40 ± .25	86.4 ± 6.35	3.40 ± .25	86.4 ± 6.35
B (HT. W/ CLOSURE):	14.2 ± .2	360.7 ± 5.1	15.7 ± .2	398.8 ± 5.1
C (HT. W/O CLOSURE):	13.8 ± .2	350.5 ± 5.1	15.3 ± .2	388.6 ± 5.1
D (WIDTH):	8.66 ± .16	220.0 ± 5.1	12.6 ± .2	320.0 ± 5.1
E (DEPTH):	6.03 ± .12	153.2 ± 3.1	9.0 ± .2	228.6 ± 5.1
W.T. (NOM WALL THK):	0.08	2.0	0.08	2.0

NOTES:

1. ALL DIMENSIONS ARE NOMINAL AND IN INCHES AND MILLIMETERS UNLESS OTHERWISE NOTED.
2. THIS IS NOT A PRODUCTION DRAWING, BUT IS FOR INFORMATIONAL PURPOSES ONLY, AND IS SUBJECT TO CHANGE WITHOUT NOTICE.



SPECS ON BACK

NOT TO SCALE

ThermoFisher
SCIENTIFIC

Thermo Fisher Scientific
75 Ponoraona Creek Drive
Rochester, NY 14625-2385, USA

NAME MG/JDD
APP'D GPP
CR 9 JD
DESCRIPTION:

PSS 00-221X-XXXX-1

REV 0907

RECTANGULAR CARBOYS

CONFIDENTIAL

THIS PRODUCT SPECIFICATION SHEET CONTAINS CONFIDENTIAL AND/OR PROPRIETARY INFORMATION AND IS TO BE USED ONLY FOR THE EXPRESSED PURPOSES AGREED UPON BY AN AUTHORIZED OFFICER OF THERMO FISHER SCIENTIFIC.