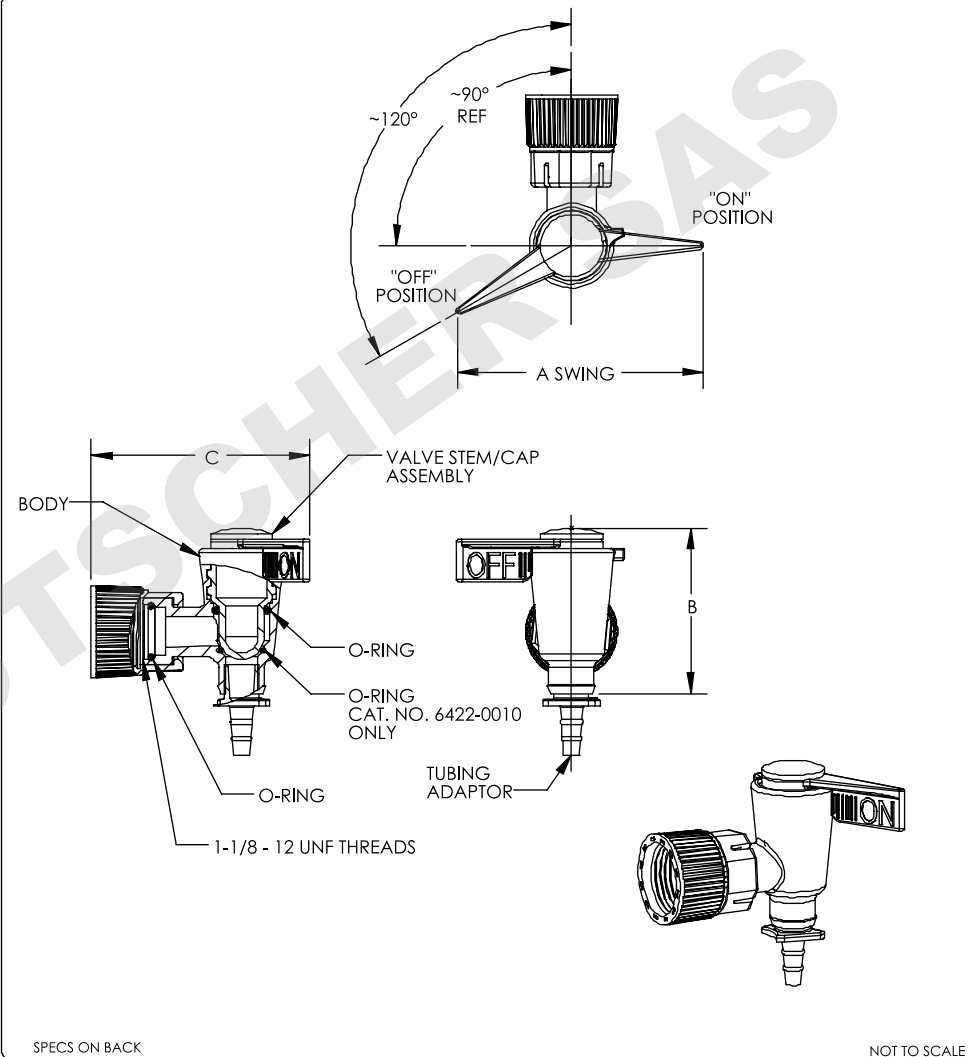


CATALOG NUMBER...	6422-0010		6432-0010	
	INCH	MM	INCH	MM
A.....	3.80 ±.05	96.5 ±1.3	3.80 ±.05	96.5 ±1.3
B.....	2.58 ±.04	65.5 ±1.0	2.58 ±.04	65.5 ±1.0
C.....	3.20 ±.05	81.3 ±1.3	3.20 ±.05	81.3 ±1.3
NOM. WEIGHT WITH ADAPTER (gms).....	39		60	
	MATERIALS			
BODY.....	BLUE PP		ETFE	
O-RINGS.....	TFE		TFE	
VALVE STEM.....	BLUE PP		ETFE	
CAP.....	BLUE PP		BLUE PP	
NUT.....	WHITE PP		WHITE PP	
TUBING ADAPTER.....	HDPE		HDPE	

- NOTES:  
 1. BODY SPOUT ACCEPTS 5/8" I.D. TUBING  
 2. TUBING ADAPTER ACCEPTS 1/4" OR 5/16" I.D. TUBING



SPECS ON BACK

NOT TO SCALE

1. ALL DIMENSIONS ARE NOMINAL AND IN INCHES AND MILLIMETERS UNLESS OTHERWISE NOTED.
2. THIS IS NOT A PRODUCTION DRAWING, BUT IS FOR INFORMATIONAL PURPOSES ONLY, AND IS SUBJECT TO CHANGE WITHOUT NOTICE.

**CONFIDENTIAL**

THIS PRODUCT SPECIFICATION SHEET CONTAINS CONFIDENTIAL AND/OR PROPRIETARY INFORMATION AND IS TO BE USED ONLY FOR THE EXPRESSED PURPOSES AGREED UPON BY AN AUTHORIZED OFFICER OF THERMO FISHER SCIENTIFIC.

**ThermoFisher  
SCIENTIFIC**

Thermo Fisher Scientific  
 75 Panorama Creek Drive  
 Rochester, NY 14625-2385, USA

MADE	MC <sup>2</sup>	APPRD	PVC	REV
CKD	SH	1/30/06		PSS 00-64X2-0010
DESCRIPTION:				10106

QUICK ACTION SPIGOT