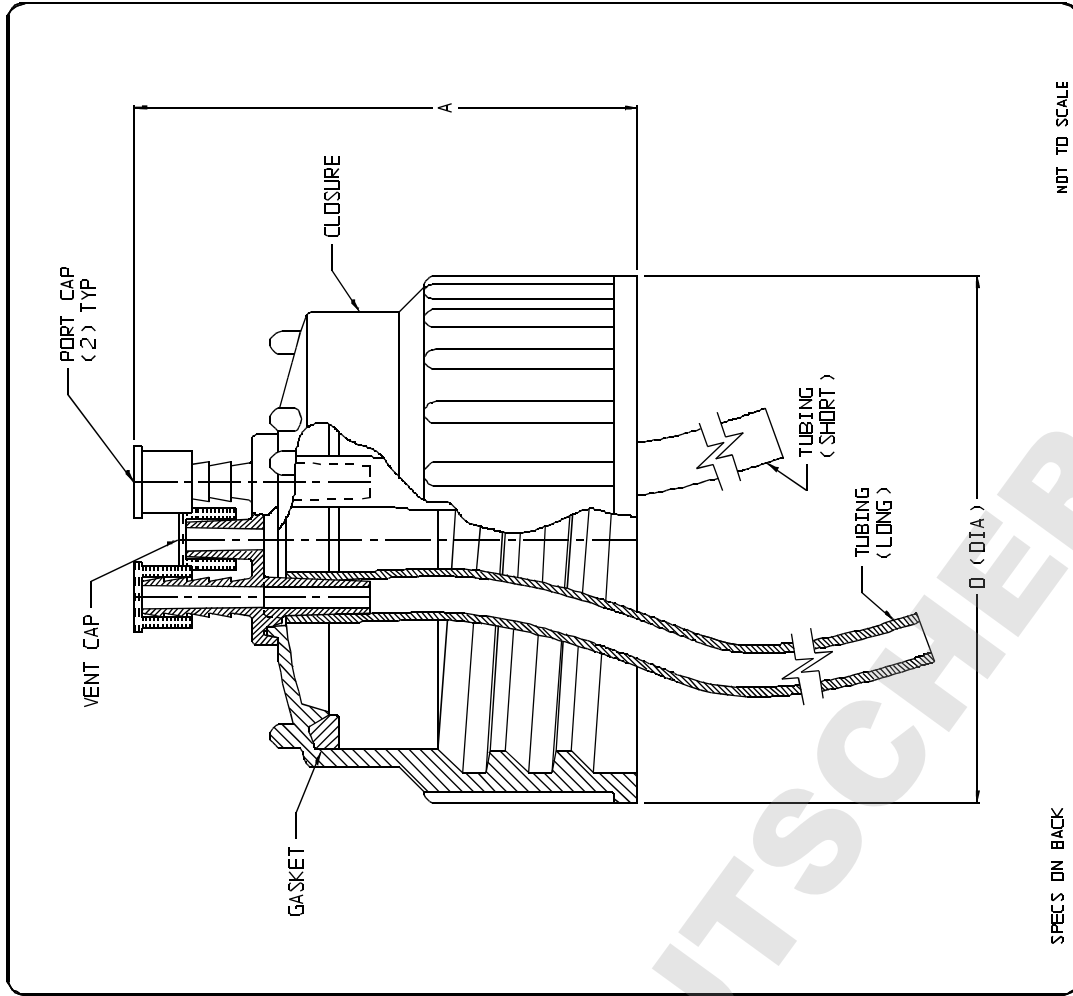


CAT. NO.	CLOSURE SIZES		MATERIALS				
	53B (1/4" PORT)	83B (1/2" PORT)	CLOSURE	GASKET	TUBING	PORT CAP	VENT CAP
2162	53B (1/4" PORT)	83B (1/2" PORT)	PP (WHITE)	TPE	NUBBER OR PLASTIC OR SILICONE	TPE	TPE
SIZE CODE	-0531		-0830		-0831		
THREAD FINISH (mm)	53		83		83		
THREAD (T.P.I.)	4		2		2		
NOM. HEIGHT (ASSEMBLED)	62		210		140		
A (NOMINAL HEIGHT)	INCH	MM	INCH	MM	INCH	MM	
	2.7	69	3.9	99	3.9	99	
D (DIA)	2.58	65.5	4.00	101.6	4.00	101.6	
BARBED PORT SIZE (inch)	1/4		1/2		1/4		
VENT PORT SIZE (inch)	1/4		3/8		1/4		

NOTES:

- 53B-CLOSURES ARE SUPPLIED WITH A 4" SHORT TUBE AND A 18" LONG TUBE ATTACHED.
- 83B-CLOSURES ARE SUPPLIED WITH A 6" SHORT TUBE AND A 30" LONG TUBE ATTACHED.



SPECS ON BACK

NOT TO SCALE

CONFIDENTIAL
 THIS PRODUCT SPECIFICATION SHEET CONTAINS CONFIDENTIAL AND/OR PROPRIETARY INFORMATION AND IS TO BE USED ONLY FOR THE EXPRESSED PURPOSES AGREED UPON BY AN AUTHORIZED OFFICER OF THERMO FISHER SCIENTIFIC.

ThermoFisher
 SCIENTIFIC

Thermo Fisher Scientific
 75 Ponoromo Creek Drive
 Rochester, NY 14625-2385, USA

REV	0502
DATE	5/18/02
APP'D	PVC
DR'G	PVC
DESCRIPTION	PSS 00-2162-XXXX-1

FILLING/VENTING CLOSURES

NOTES:

- ALL DIMENSIONS ARE NOMINAL AND IN INCHES AND MILLIMETERS UNLESS OTHERWISE NOTED.
- THIS IS NOT A PRODUCTION DRAWING, BUT IS FOR INFORMATIONAL PURPOSES ONLY, AND IS SUBJECT TO CHANGE WITHOUT NOTICE.