

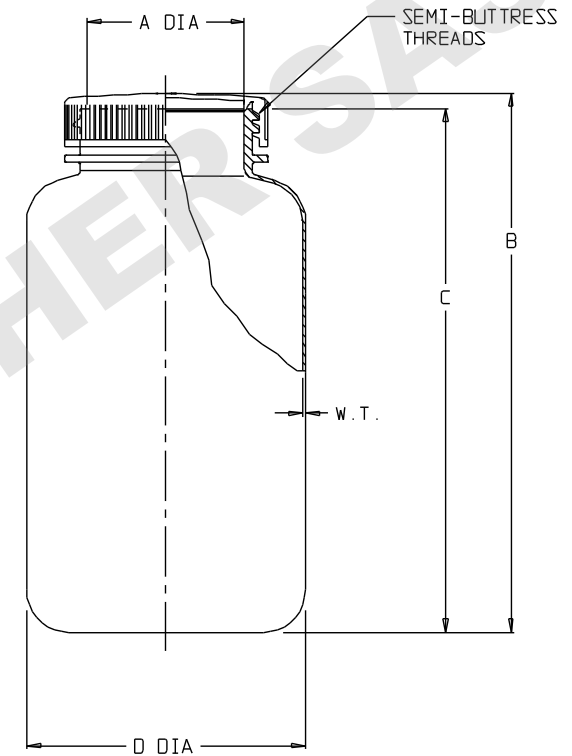
CATALOG NO.	NOMINAL CAPACITY (oz)				MATERIALS	
					BOTTLE	CLOSURE
002197	4	8	16	32	FLPE	FLPP

SIZE CODE.....	-0004		-0008	
SIZE (NOM VOL mL/oz)	125/4		250/8	
NOM. BRIM CAP. (mL):	150		290	
NECK FINISH (mm)....	38-415		43-415	
THREAD (T.P.I.).....	6		6	
NOM. WEIGHT W/CLOSURE (gms).....	25		36	
	IN.	MM	IN.	MM
A (NECK I.D. @ TOP):	1.110 ± 0.025	28.2 ± 0.64	1.300 ± 0.025	33.0 ± 0.64
B (HT. W/CLOSURE)....	3.91 ± 0.08	99.3 ± 2.0	5.16 ± 0.08	131.1 ± 2.0
C (HT. W/O CLOSURE):	3.76 ± 0.08	95.5 ± 2.0	5.01 ± 0.08	127.3 ± 2.0
D (DIA).....	1.98 ± 0.06	50.3 ± 1.5	2.40 ± 0.07	61.0 ± 1.8
W.T.(NOM. WALL THK):	0.045	1.14	0.050	1.27

SIZE CODE.....	-0016		-0032	
SIZE (NOM VOL mL/oz)	500/16		1000/32	
NOM. BRIM CAP. (mL):	550		1100	
NECK FINISH (mm)....	53-415		63-415	
THREAD (T.P.I.).....	6		6	
NOM. WEIGHT W/CLOSURE (gms).....	62		110	
	IN.	MM	IN.	MM
A (NECK I.D. @ TOP):	1.720 ± 0.025	43.7 ± 0.64	2.07 ± 0.03	52.6 ± 0.8
B (HT. W/CLOSURE)....	6.62 ± 0.09	168.1 ± 2.3	7.84 ± 0.10	199.1 ± 2.5
C (HT. W/O CLOSURE):	6.29 ± 0.10	163.8 ± 2.3	7.67 ± 0.10	194.8 ± 2.5
D (DIA).....	2.86 ± 0.08	72.6 ± 2.0	3.60 ± 0.08	91.4 ± 2.0
W.T.(NOM. WALL THK):	0.060	1.52	0.060	1.52

NOTES:

1. ALL DIMENSIONS ARE NOMINAL AND IN INCHES AND MILLIMETERS UNLESS OTHERWISE NOTED.
2. THIS IS NOT A PRODUCTION DRAWING, BUT IS FOR INFORMATIONAL PURPOSES ONLY, AND IS SUBJECT TO CHANGE WITHOUT NOTICE.



NOT TO SCALE

SPECS ON BACK

CONFIDENTIAL

THIS PRODUCT SPECIFICATION SHEET CONTAINS CONFIDENTIAL AND/OR PROPRIETARY INFORMATION AND IS TO BE USED ONLY FOR THE EXPRESSED PURPOSES AGREED UPON BY AN AUTHORIZED OFFICER OF THERMO FISHER SCIENTIFIC.

**ThermoFisher**  
**SCIENTIFIC**

Thermo Fisher Scientific  
75 Panorama Creek Drive  
Rochester, NY 14625-2385, USA

MADE	JGJ	APP'D	PVC	PSS 00-2197-XXXX	REV.	0997
CHK'D	PVC		9/6/97			

DESCRIPTION:

FLUORINATED WIDE-MOUTH BOTTLES