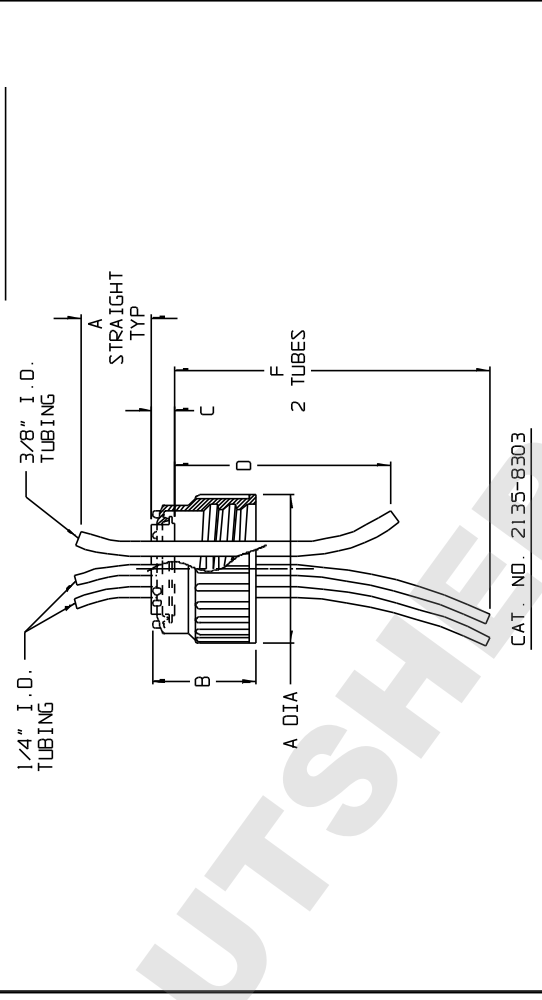
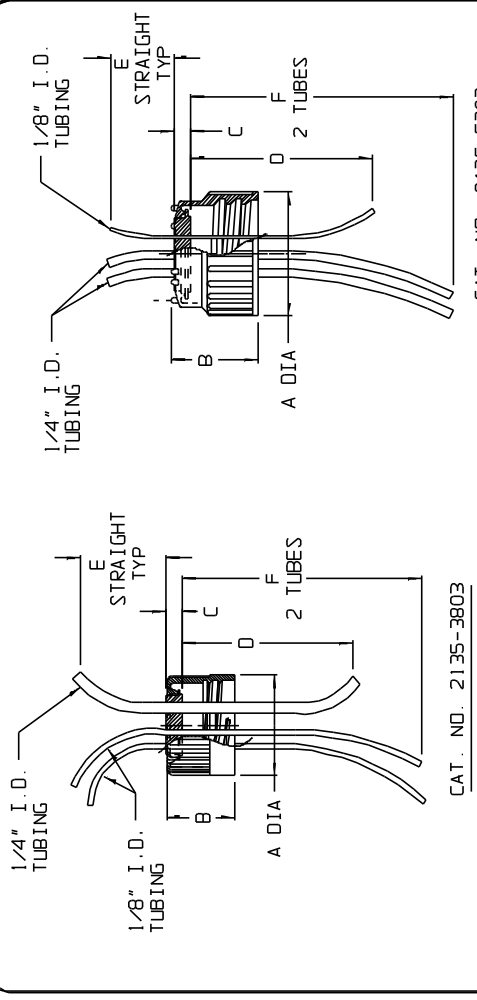


CATALOG NUMBER	2135-3803	2135-5303	2135-8303			
CLOSURE	PP					
MATERIAL	SILICONE - PLATINUM CURED					
INSERT	SILICONE - PLATINUM CURED					
TUBING	SILICONE - PLATINUM CURED					
CLOSURE SIZE (mm)	38-430					
TUBING SIZES (COMBINATION)	(2) 1/8 I.D. (1) 1/4 I.D.	(2) 1/4 I.D. (1) 1/8 I.D.	(2) 1/4 I.D. (1) 3/8 I.D.			
A DIA	INCH	MM	INCH			
A	1.66±.03	42.2±0.8	2.58±.02	65.5±0.5	4.00±.03	101.6±0.8
B	1.17±.03	29.7±0.8	1.65±.02	41.9±0.5	2.82±.03	71.6±0.8
H (INSERT HT)	0.42±.03	10.7±0.8	0.67±.03	17.0±0.8	0.91±.04	23.1±1.0
TUBING LENGTHS (ABOVE INSERT)	12	305	12	305	12	305
TUBING LENGTHS (BELOW INSERT)	16	406	6	152	—	—
1/8 I.D.	6	152	20	508	34	864
1/4 I.D.	—	—	—	—	6	152
3/8 I.D.	—	—	—	—	—	—
NOM WT. (gms)	80			140		345

NOTES:

1. ALL DIMENSIONS ARE NOMINAL AND IN INCHES AND MILLIMETERS UNLESS OTHERWISE NOTED.
2. THIS IS NOT A PRODUCTION DRAWING, BUT IS FOR INFORMATIONAL PURPOSES ONLY, AND IS SUBJECT TO CHANGE WITHOUT NOTICE.



SPECS ON BACK

NOT TO SCALE

CONFIDENTIAL

THIS PRODUCT SPECIFICATION SHEET CONTAINS CONFIDENTIAL AND/OR PROPRIETARY INFORMATION AND IS TO BE USED ONLY FOR THE EXPRESSED PURPOSES AGREED UPON BY AN AUTHORIZED OFFICER OF THERMO FISHER SCIENTIFIC.

**ThermoFisher**  
**SCIENTIFIC**

Thermo Fisher Scientific  
75 Pancosmo Creek Drive  
Rochester, NY 14625-2385, USA

NAME	MC	APP'D	PVC	5/15/01	PSS	00-2135-XX03	REV	0501
DESCRIPTION:	CR'B	PVC	FLEXIBLE TOP WORKS™ SYSTEM SCREW CLOSURES WITH SILICONE INSERTS AND 3 PORTS					