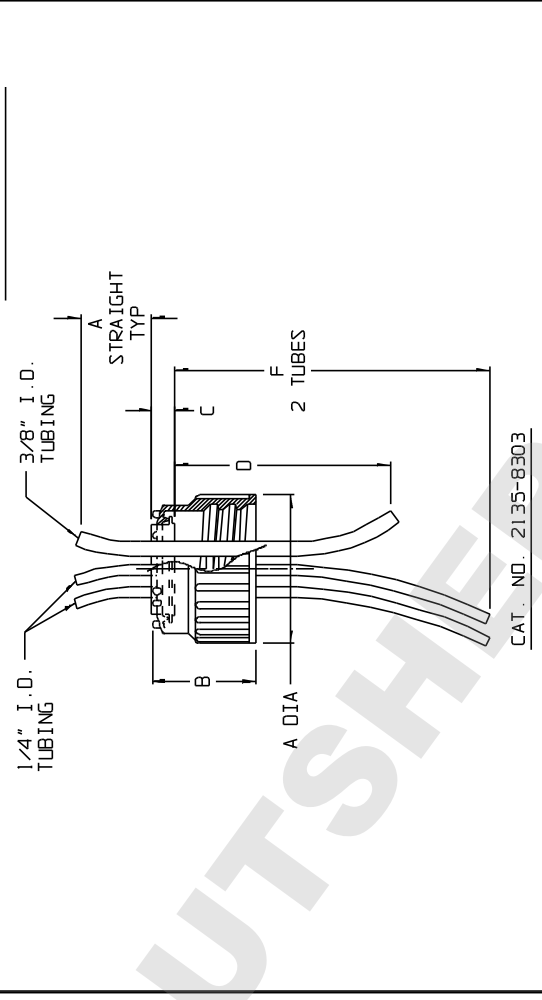
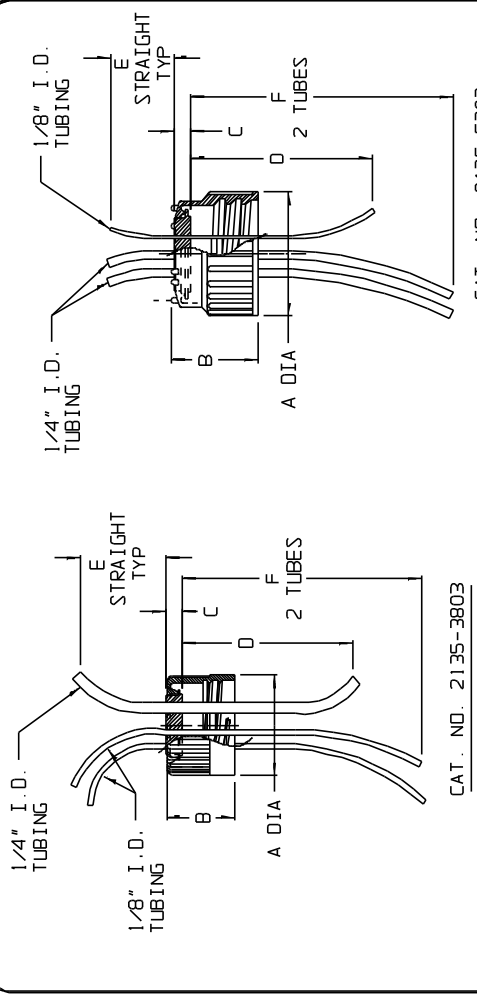


| | | | | | | |
|-------------------------------|------------------------------|------------------------------|------------------------------|----------|----------|-----------|
| CATALOG NUMBER | 2135-3803 | 2135-5303 | 2135-8303 | | | |
| CLOSURE | PP | | | | | |
| MATERIAL | SILICONE - PLATINUM CURED | | | | | |
| INSERT | SILICONE - PLATINUM CURED | | | | | |
| TUBING | SILICONE - PLATINUM CURED | | | | | |
| CLOSURE SIZE (mm) | 38-430 | | | | | |
| TUBING SIZES (COMBINATION) | (2) 1/8 I.D. (1) 1/4 I.D. | (2) 1/4 I.D. (1) 1/8 I.D. | (2) 1/4 I.D. (1) 3/8 I.D. | | | |
| A DIA | INCH | MM | INCH | | | |
| A | 1.66±.03 | 42.2±0.8 | 2.58±.02 | 65.5±0.5 | 4.00±.03 | 101.6±0.8 |
| B | 1.17±.03 | 29.7±0.8 | 1.65±.02 | 41.9±0.5 | 2.82±.03 | 71.6±0.8 |
| H | 0.42±.03 | 10.7±0.8 | 0.67±.03 | 17.0±0.8 | 0.91±.04 | 23.1±1.0 |
| TUBING LENGTHS (ABOVE INSERT) | 12 | 305 | 12 | 305 | 12 | 305 |
| TUBING LENGTHS (BELOW INSERT) | 1/8 I.D. | 16 | 406 | 6 | 152 | — |
| | 1/4 I.D. | 6 | 152 | 20 | 508 | 864 |
| | 3/8 I.D. | — | — | — | — | 152 |
| NOM. WT. (gms) | 80 | | | 140 | | 345 |

- NOTES:
1. ALL DIMENSIONS ARE NOMINAL AND IN INCHES AND MILLIMETERS UNLESS OTHERWISE NOTED.
 2. THIS IS NOT A PRODUCTION DRAWING, BUT IS FOR INFORMATIONAL PURPOSES ONLY, AND IS SUBJECT TO CHANGE WITHOUT NOTICE.



SPECS ON BACK

NOT TO SCALE

CONFIDENTIAL

THIS PRODUCT SPECIFICATION SHEET CONTAINS CONFIDENTIAL AND/OR PROPRIETARY INFORMATION AND IS TO BE USED ONLY FOR THE EXPRESSED PURPOSES AGREED UPON BY AN AUTHORIZED OFFICER OF THERMO FISHER SCIENTIFIC.

ThermoFisher SCIENTIFIC
 Thermo Fisher Scientific
 75 Pancosmo Creek Drive
 Rochester, NY 14625-2385, USA

| | | | | | | | | |
|--------------|------|-------|---|---------|------------------|-----|------|--|
| NAME | MC | APP'D | PVC | 5/15/01 | PSS 00-2135-XX03 | REV | 0501 | |
| DESCRIPTION: | CR'B | PVC | FLEXIBLE TOP WORKS™ SYSTEM SCREW CLOSURES WITH SILICONE INSERTS AND 3 PORTS | | | | | |