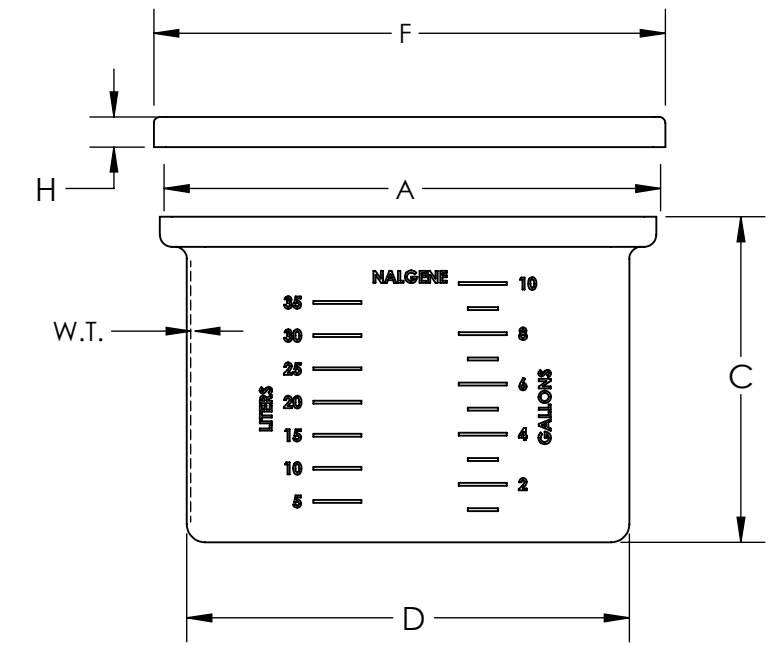
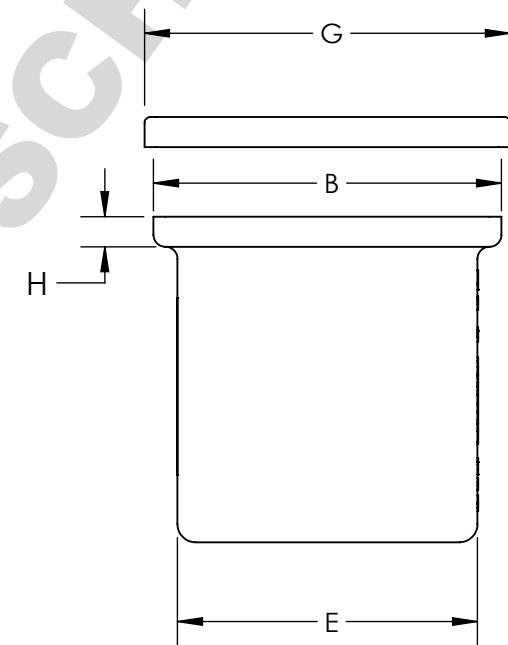
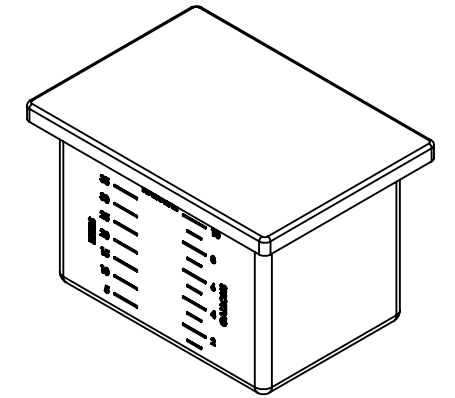


CATALOG NUMBER	14200-0002		14200-0005		14200-0010		14200-0015	
NOM. CAPACITY (GAL)	2		5		10		15	
MATERIAL	PP		PP		PP		PP	
	INCH	MM	INCH	MM	INCH	MM	INCH	MM
A (LENGTH)	10.5	267	16.7	424	14.56	370	20.69	525
B (WIDTH)	10.5	267	12.7	323	14.56	370	14.50	368
C (HEIGHT W/O COVER)	9.25	235	11.44	291	14.31	364	13.56	344
D (LENGTH)	8.19	208	14.53	369	12.25	311	18.44	468
E (WIDTH)	8.19	208	10.4	264	12.25	311	12.50	318
F (LENGTH COVER)	11.19	284	17.31	440	15.06	383	21.31	541
G (WIDTH COVER)	11.19	284	13.31	338	15.06	383	15.25	387
H (HEIGHT COVER)	1.25	32	1.25	32	1.25	32	1.25	32
W.T. (WALL THICKNESS)	.19	5	.19	5	.19	5	3/16	5

CATALOG NUMBER	14200-0020		14200-0045	
NOM. CAPACITY (GAL)	20		45	
MATERIAL	PP		PP	
	INCH	MM	INCH	MM
A (LENGTH)	26.63	676	26.63	676
B (WIDTH)	14.63	371	20.34	525
C (HEIGHT W/O COVER)	13.25	337	19.56	497
D (LENGTH)	24.38	619	24.19	614
E (WIDTH)	12.38	314	18.44	468
F (LENGTH COVER)	27.13	689	27.44	686
G (WIDTH COVER)	15.13	384	21.13	537
H (HEIGHT COVER)	1.25	32	1.25	32
W.T. (WALL THICKNESS)	.16	4	.16	4

1. ALL DIMENSIONS ARE NOMINAL AND IN INCHES AND MILLIMETERS UNLESS OTHERWISE NOTED.
2. THIS IS NOT A PRODUCTION DRAWING, BUT IS FOR INFORMATIONAL PURPOSES ONLY, AND IS SUBJECT TO CHANGE WITHOUT NOTICE.



SPECS ON BACK

NOT TO SCALE

CONFIDENTIAL

THIS PRODUCT SPECIFICATION SHEET CONTAINS CONFIDENTIAL AND/OR PROPRIETARY INFORMATION AND IS TO BE USED ONLY FOR THE EXPRESSED PURPOSES AGREED UPON BY AN AUTHORIZED OFFICER OF THERMO FISHER SCIENTIFIC.

ThermoFisher
SCIENTIFIC

Thermo Fisher Scientific
75 Panorama Creek Drive
Rochester, NY 14625-2385, USA

MADE	PMP	APP'D	EV
CK'D	JC		7-5-16

PSS 14200-00XX

REV. 0616

TANKS WITH COVERS