

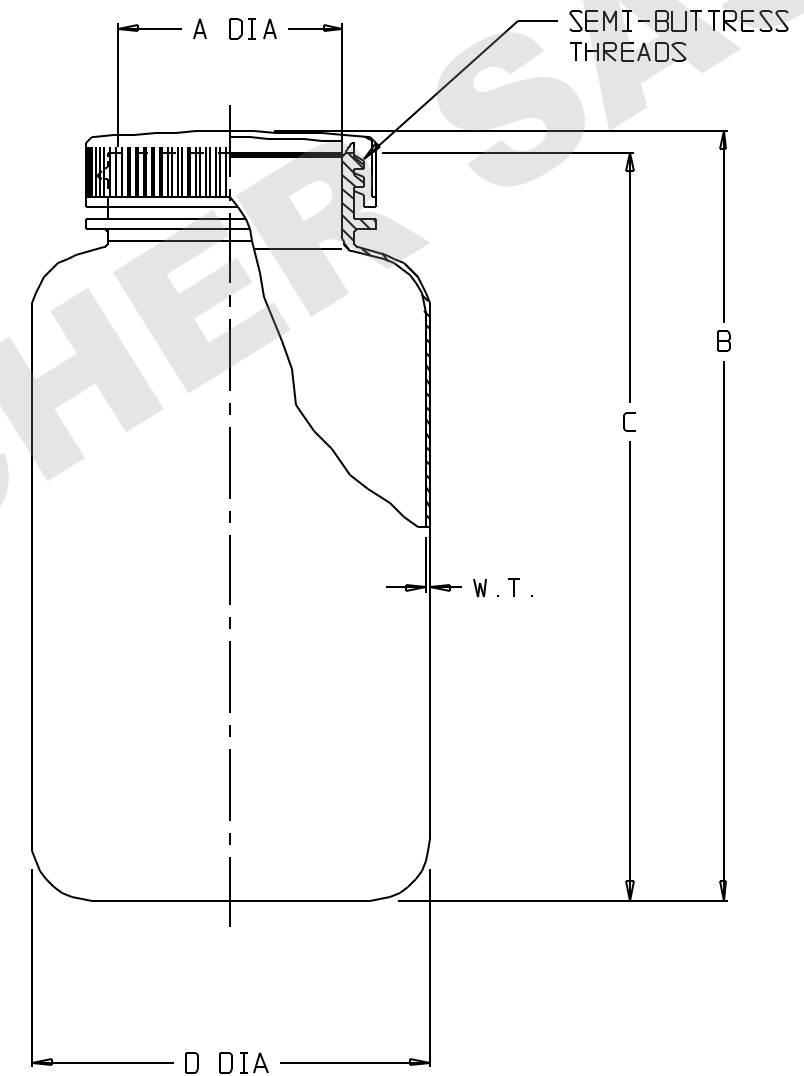
CATALOG NO.	NOMINAL CAPACITY (oz)					MATERIALS	
						BOTTLE	CLOSURE
002100	4	8	16	32	64	FEP	TEFZEL ETFE

SIZE CODE.....:	-0004	-0008			-0016	
SIZE (NOM VOL mL/oz)	125/4	250/8			500/16	
NOM. BRIM CAP. (mL):	145	260			520	
NECK FINISH (mm)....:	33-415	43-415			48-415	
THREAD (T.P.I.).....:	6	6			6	
NOM. WEIGHT W/CLOSURE (gms).....:	42	68			105	
A (NECK I.D. @ TOP):	0.97 ±.04	24.6 ±1.0	1.28 ±.04	32.5 ±1.0	1.49 ±.05	37.8 ±1.3
B (HT. W/CLOSURE)....:	4.61 ±.08	117.1 ±2.0	5.03 ±.08	127.8 ±2.0	6.55 ±.10	166.4 ±2.5
C (HT. W/O CLOSURE):	4.45 ±.08	113.0 ±2.0	4.86 ±.08	123.4 ±2.0	6.29 ±.10	159.8 ±2.5
D (DIA).....:	1.81 ±.06	46.0 ±1.5	2.34 ±.07	59.4 ±1.8	2.86 ±.08	72.6 ±2.0
W.T.(NOM. WALL THK):	0.04	1.0	0.04	1.0	0.04	1.0

SIZE CODE.....:	-0032			-0064
SIZE (NOM VOL mL/oz)	1000/32			2000/64
NOM. BRIM CAP. (mL):	1060			2150
NECK FINISH (mm)....:	53-415			53-415
THREAD (T.P.I.).....:	6			6
NOM. WEIGHT W/CLOSURE (gms).....:	180			310
A (NECK I.D. @ TOP):	1.64 ±.06	41.7 ±1.5	1.68 ±.06	42.7 ±1.5
B (HT. W/CLOSURE)....:	8.1	206	9.2	234
C (HT. W/O CLOSURE):	7.81 ±.12	198.4 ±3.0	8.97 ±.14	227.8 ±3.6
D (DIA).....:	3.54 ±.10	89.9 ±2.5	4.72 ±.12	119.9 ±3.0
W.T.(NOM. WALL THK):	0.04	1.0	0.06	1.5

NOTES:

1. ALL DIMENSIONS ARE NOMINAL AND IN INCHES AND MILLIMETERS UNLESS OTHERWISE NOTED.
2. THIS IS NOT A PRODUCTION DRAWING, BUT IS FOR INFORMATIONAL PURPOSES ONLY, AND IS SUBJECT TO CHANGE WITHOUT NOTICE.



SPECS ON BACK

NOT TO SCALE

CONFIDENTIAL

THIS PRODUCT SPECIFICATION SHEET CONTAINS CONFIDENTIAL AND/OR PROPRIETARY INFORMATION AND IS TO BE USED ONLY FOR THE EXPRESSED PURPOSES AGREED UPON BY AN AUTHORIZED OFFICER OF THERMO FISHER SCIENTIFIC.

ThermoFisher
SCIENTIFIC

Thermo Fisher Scientific
75 Panorama Creek Drive
Rochester, NY 14625-2385, USA

MADE NS	APP'D PVC	PSS 00-2100-XXXX-1	REV. 0503
CK'D PVC	5/29/03		
DESCRIPTION: WIDE-MOUTH BOTTLES			