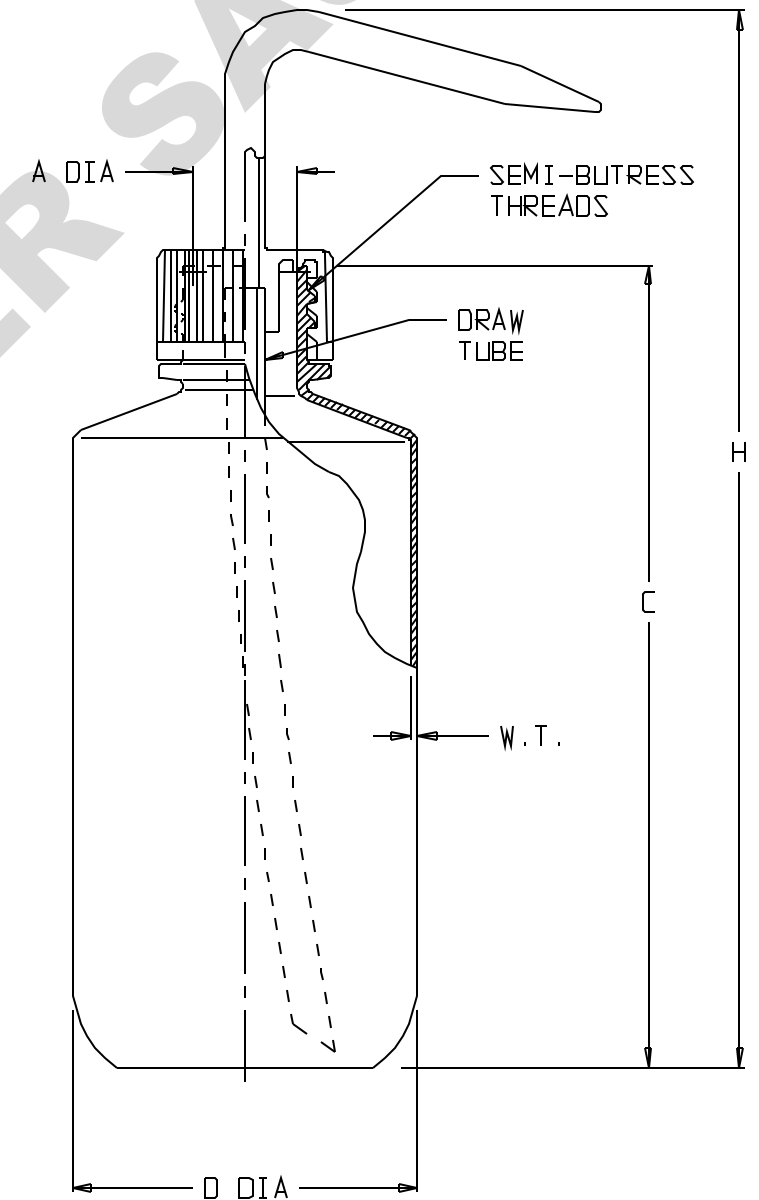


CATALOG NO.	NOMINAL CAPACITY (oz)	MATERIALS			CLOSURE COLOR
		BOTTLE	CLOSURE	DRAW TUBE	
002422-2500	16	LDPE	PP	PPCO	YELLOW
002422-3500	16	LDPE	PP	PPCO	BLUE
002422-4500	16	LDPE	PP	PPCO	GREEN
002422-5500	16	LDPE	PP	PPCO	RED

SIZE (NOM VOL mL/oz)	500/16	
NOM. BRIM CAP. (mL):	570	
NECK FINISH (mm):	38-415	
THREAD (T.P.I.):	6	
NOM. WEIGHT W/CLOSURE (gms):	116	
	INCH	MM
A (NECK I.D.):	1.02 ±0.03	25.9 ±0.8
C (HT. W/O CLOSURE):	7.00 ±0.09	177.8 ±2.3
D (DIA):	2.87 ±0.08	72.9 ±2.0
H (NOM OVERALL HT):	8.8	224
W.T. (NOM. WALL THK):	0.040	1.0

NOTES:

1. ALL DIMENSIONS ARE NOMINAL AND IN INCHES AND MILLIMETERS UNLESS OTHERWISE NOTED.
2. THIS IS NOT A PRODUCTION DRAWING, BUT IS FOR INFORMATIONAL PURPOSES ONLY, AND IS SUBJECT TO CHANGE WITHOUT NOTICE.



SPECS ON BACK

NOT TO SCALE

CONFIDENTIAL

THIS PRODUCT SPECIFICATION SHEET CONTAINS CONFIDENTIAL AND/OR PROPRIETARY INFORMATION AND IS TO BE USED ONLY FOR THE EXPRESSED PURPOSES AGREED UPON BY AN AUTHORIZED OFFICER OF THERMO FISHER SCIENTIFIC.

**ThermoFisher**  
**SCIENTIFIC**

Thermo Fisher Scientific  
75 Panorama Creek Drive  
Rochester, NY 14625-2385, USA

MADE	NS	APP'D	PVC	PSS 00-2422-XXXX-1	REV.	-
CHK'D	PVC		5/13/93			
DESCRIPTION:				(NARROW MOUTH) COLOR-CODED WASH BOTTLES		