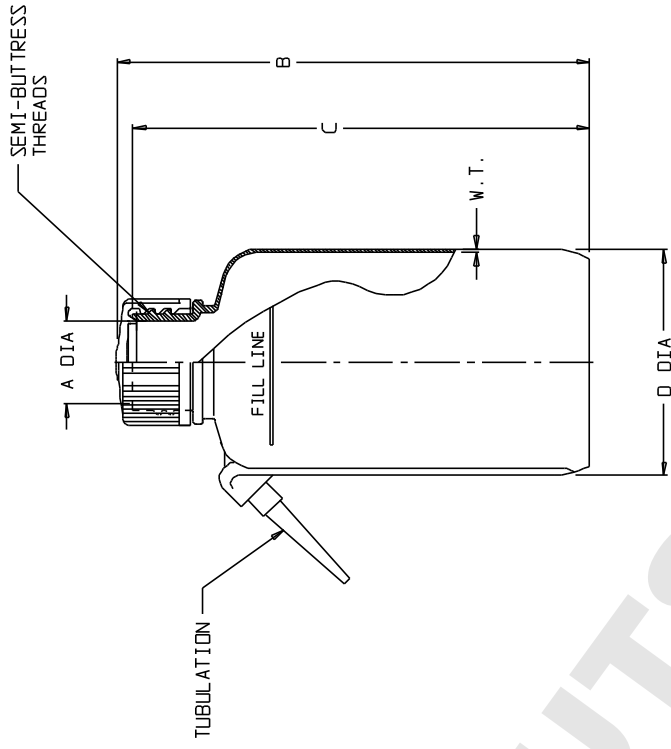


CATALOG NO.	NOMINAL CAPACITY (oz)				MATERIALS			
	4	8	16	32	BOTTLE	CLOSURE	TUBULATION	
002402	-	8	16	24	LOPE	PP	LOPE	
002408	-	8	16	-	RED LOPE	RED PP	RED LOPE	

SIZE CODE	-0125		-0250		-0500	
	INCH	MM	INCH	MM	INCH	MM
SIZE (NOM VOL mL/oz)	125/4		250/8		500/16	
NOM. BRIM CAP. (mL):	145		290		580	
NECK FINISH (mm):	24-415		38-415		38-415	
THREAD (T.P.I.):	8		6		6	
NOM. WEIGHT W/CLOSURE (gms):	25		45		58	
A (NECK I.D.):	0.69 ±0.03	17.5 ±0.8	1.16 ±0.03	29.5 ±0.8	1.16 ±0.03	29.5 ±0.8
B (HT. W/CLOSURE):	4.70 ±0.08	119.4 ±2.0	5.42 ±0.08	137.7 ±2.0	6.81 ±0.09	173.0 ±2.3
C (HT. W/O CLOSURE):	4.62 ±0.08	117.3 ±2.0	5.31 ±0.08	134.9 ±2.0	6.69 ±0.09	170.0 ±2.3
D (DIA):	1.90 ±0.06	48.3 ±1.5	2.46 ±0.07	62.5 ±1.8	3.02 ±0.08	76.7 ±2.0
W.T. (NOM. WALL THK):	0.030	0.8	0.030	0.8	0.040	1.0

SIZE CODE	-0750		-1000	
	INCH	MM	INCH	MM
SIZE (NOM VOL mL/oz)	750/24		1000/32	
NOM. BRIM CAP. (mL):	840		1140	
NECK FINISH (mm):	38-415		43-415	
THREAD (T.P.I.):	6		6	
NOM. WEIGHT W/CLOSURE (gms):	82		105	
A (NECK I.D.):	1.16 ±0.03	29.5 ±0.8	1.30 ±0.03	33.0 ±0.8
B (HT. W/CLOSURE):	8.05 ±0.10	204.5 ±2.5	8.25 ±0.10	209.6 ±2.5
C (HT. W/O CLOSURE):	7.92 ±0.10	201.2 ±2.5	8.12 ±0.10	206.2 ±2.5
D (DIA):	3.34 ±0.08	84.8 ±2.0	3.80 ±0.08	96.5 ±2.0
W.T. (NOM. WALL THK):	0.045	1.1	0.050	1.3

- NOTES:
1. ALL DIMENSIONS ARE NOMINAL AND IN INCHES AND MILLIMETERS UNLESS OTHERWISE NOTED.
  2. THIS IS NOT A PRODUCTION DRAWING, BUT IS FOR INFORMATIONAL PURPOSES ONLY, AND IS SUBJECT TO CHANGE WITHOUT NOTICE.



SPECS ON BACK

NOT TO SCALE

**ThermoFisher**  
**SCIENTIFIC**

Thermo Fisher Scientific  
75 Pancosmo Creek Drive  
Rochester, NY 14625-2385, USA

DATE	MCC	APP'D	PVC	PSS 00-240X-XXXX-2	REV	0593
DATE	PVC	5/11/93				
DESCRIPTION:						

WIDE MOUTH  
UNITARY WASH BOTTLES

CONFIDENTIAL

THIS PRODUCT SPECIFICATION SHEET CONTAINS CONFIDENTIAL AND/OR PROPRIETARY INFORMATION AND IS TO BE USED ONLY FOR THE EXPRESSED PURPOSES AGREED UPON BY AN AUTHORIZED OFFICER OF THERMO FISHER SCIENTIFIC.