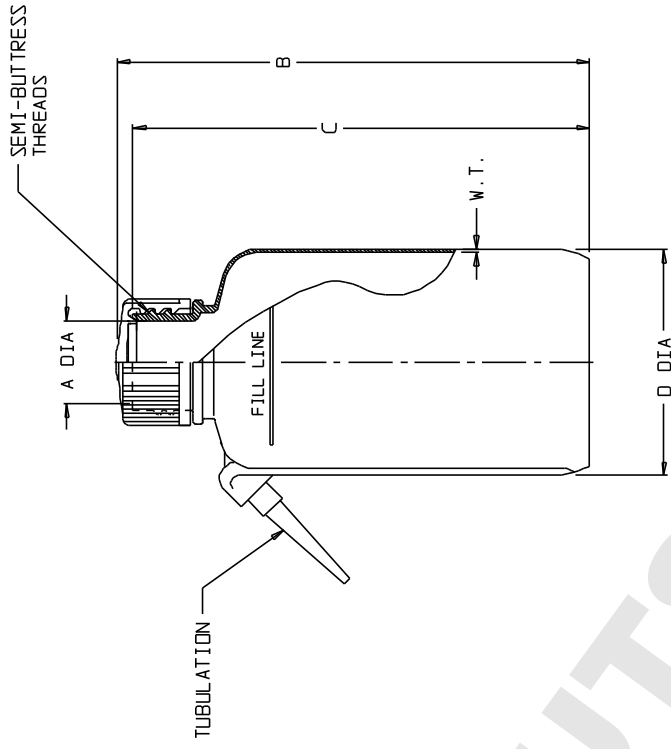


CATALOG NO.	NOMINAL CAPACITY (oz)				MATERIALS			
	4	8	16	24	32	BOTTLE CLOSURE	TUBULATION	
002402	-	8	16	24	32	LOPE	PP	LOPE
002408	-	8	16	-	-	RED LOPE	RED PP	RED LOPE

SIZE CODE	-0125		-0250		-0500	
	INCH	MM	INCH	MM	INCH	MM
SIZE (NOM VOL mL/oz)	125/4		250/8		500/16	
NOM. BRIM CAP. (mL):	145		290		580	
NECK FINISH (mm):	24-415		38-415		38-415	
THREAD (T.P.I.):	8		6		6	
NOM. WEIGHT W/CLOSURE (gms):	25		45		58	
A (NECK I.D.):	0.69 ±0.03	17.5 ±0.8	1.16 ±0.03	29.5 ±0.8	1.16 ±0.03	29.5 ±0.8
B (HT. W/CLOSURE):	4.70 ±0.08	119.4 ±2.0	5.42 ±0.08	137.7 ±2.0	6.81 ±0.09	173.0 ±2.3
C (HT. W/O CLOSURE):	4.62 ±0.08	117.3 ±2.0	5.31 ±0.08	134.9 ±2.0	6.69 ±0.09	170.0 ±2.3
D (DIA):	1.90 ±0.06	48.3 ±1.5	2.46 ±0.07	62.5 ±1.8	3.02 ±0.08	76.7 ±2.0
W.T. (NOM. WALL THK):	0.030	0.8	0.030	0.8	0.040	1.0

SIZE CODE	-0750		-1000	
	INCH	MM	INCH	MM
SIZE (NOM VOL mL/oz)	750/24		1000/32	
NOM. BRIM CAP. (mL):	840		1140	
NECK FINISH (mm):	38-415		43-415	
THREAD (T.P.I.):	6		6	
NOM. WEIGHT W/CLOSURE (gms):	82		105	
A (NECK I.D.):	1.16 ±0.03	29.5 ±0.8	1.30 ±0.03	33.0 ±0.8
B (HT. W/CLOSURE):	8.05 ±0.10	204.5 ±2.5	8.25 ±0.10	209.6 ±2.5
C (HT. W/O CLOSURE):	7.92 ±0.10	201.2 ±2.5	8.12 ±0.10	206.2 ±2.5
D (DIA):	3.34 ±0.08	84.8 ±2.0	3.80 ±0.08	96.5 ±2.0
W.T. (NOM. WALL THK):	0.045	1.1	0.050	1.3

- NOTES:
1. ALL DIMENSIONS ARE NOMINAL AND IN INCHES AND MILLIMETERS UNLESS OTHERWISE NOTED.
 2. THIS IS NOT A PRODUCTION DRAWING, BUT IS FOR INFORMATIONAL PURPOSES ONLY, AND IS SUBJECT TO CHANGE WITHOUT NOTICE.



SPECS ON BACK

NOT TO SCALE

ThermoFisher
SCIENTIFIC

Thermo Fisher Scientific
75 Pancromo Creek Drive
Rochester, NY 14625-2385, USA

DATE	MCC	APP'D	PVC	PSS 00-240X-XXXX-2	REV	0593
DATE	PVC	5/11/93				
DESCRIPTION: WIDE MOUTH UNITARY WASH BOTTLES						

CONFIDENTIAL

THIS PRODUCT SPECIFICATION SHEET CONTAINS CONFIDENTIAL AND/OR PROPRIETARY INFORMATION AND IS TO BE USED ONLY FOR THE EXPRESSED PURPOSES AGREED UPON BY AN AUTHORIZED OFFICER OF THERMO FISHER SCIENTIFIC.