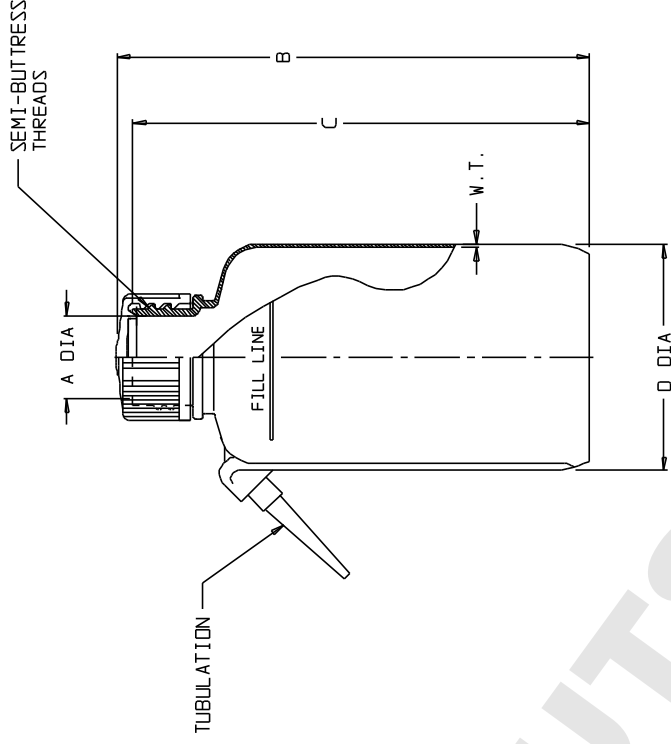


CATALOG NO.	NOMINAL CAPACITY (oz)				MATERIALS			
	4	8	16	32	BOTTLE	CLOSURE	TUBULATION	
002402					LOPE	PP	LOPE	
002408	-	8	16	-	RED LOPE	RED PP	RED LOPE	

SIZE CODE	-0125		-0250		-0500	
SIZE (NOM VOL mL/oz)	125/4		250/8		500/16	
NOM. BRIM CAP. (mL):	145		290		580	
NECK FINISH (mm):	24-415		38-415		38-415	
THREAD (T.P.I.):	8		6		6	
NOM. WEIGHT W/CLOSURE (gms):	25		45		58	
A (NECK I.D.):	INCH	MM	INCH	MM	INCH	MM
	0.69 ±0.03	17.5 ±0.8	1.16 ±0.03	29.5 ±0.8	1.16 ±0.03	29.5 ±0.8
B (HT. W/CLOSURE):	4.70 ±0.08		5.42 ±0.08		6.81 ±0.09	
C (HT. W/O CLOSURE):	4.62 ±0.08		5.31 ±0.08		6.69 ±0.09	
D (DIA):	1.90 ±0.06		48.3 ±1.5		2.46 ±0.07	
W.T. (NOM. WALL THK):	0.030		0.8		0.030	
	0.030		0.8		0.040	
					1.0	

SIZE CODE	-0750		-1000	
SIZE (NOM VOL mL/oz)	750/24		1000/32	
NOM. BRIM CAP. (mL):	840		1140	
NECK FINISH (mm):	38-415		43-415	
THREAD (T.P.I.):	6		6	
NOM. WEIGHT W/CLOSURE (gms):	82		105	
A (NECK I.D.):	INCH	MM	INCH	MM
	1.16 ±0.03	29.5 ±0.8	1.30 ±0.03	33.0 ±0.8
B (HT. W/CLOSURE):	8.05 ±0.10		204.5 ±2.5	
C (HT. W/O CLOSURE):	7.92 ±0.10		201.2 ±2.5	
D (DIA):	3.34 ±0.08		84.8 ±2.0	
W.T. (NOM. WALL THK):	0.045		1.1	
	0.045		1.1	
			0.050	
			1.3	

- NOTES:
1. ALL DIMENSIONS ARE NOMINAL AND IN INCHES AND MILLIMETERS UNLESS OTHERWISE NOTED.
 2. THIS IS NOT A PRODUCTION DRAWING, BUT IS FOR INFORMATIONAL PURPOSES ONLY, AND IS SUBJECT TO CHANGE WITHOUT NOTICE.



SPECS ON BACK

NOT TO SCALE

ThermoFisher
SCIENTIFIC

Thermo Fisher Scientific
75 Pancromo Creek Drive
Rochester, NY 14625-2385, USA

NAME	MCC	APP'D	PVC	DATE	REV
DESCRIPTION:	PVC	5/11/93		PSS 00-240X-XXXX-2	0593

WIDE MOUTH
UNITARY WASH BOTTLES

CONFIDENTIAL

THIS PRODUCT SPECIFICATION SHEET CONTAINS CONFIDENTIAL AND/OR PROPRIETARY INFORMATION AND IS TO BE USED ONLY FOR THE EXPRESSED PURPOSES AGREED UPON BY AN AUTHORIZED OFFICER OF THERMO FISHER SCIENTIFIC.