

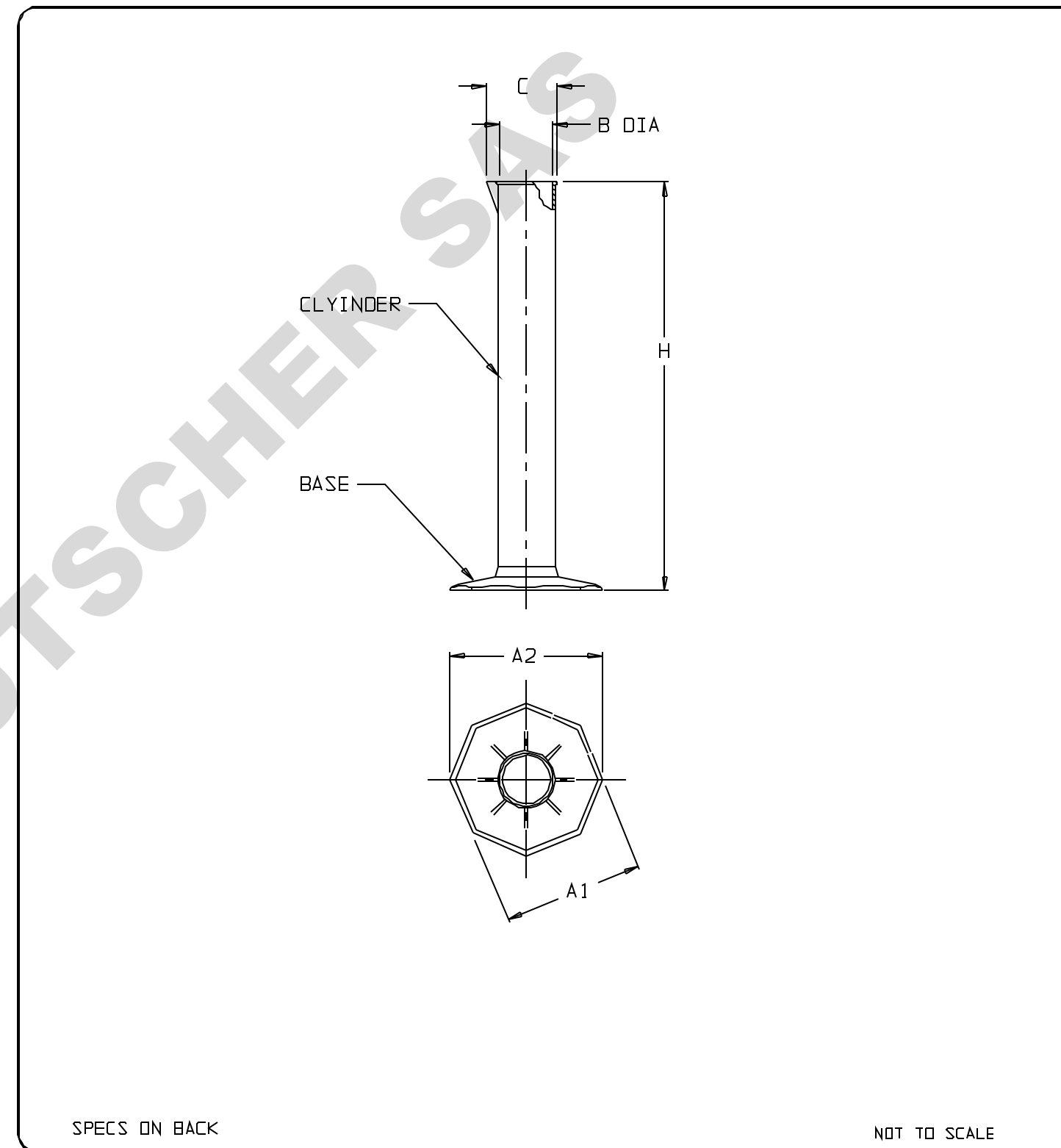
CATALOG NO.	NOMINAL CYLINDER CAPACITY (mL)									MATERIALS	
	10	25	50	100	250	500	1000	2000	4000	CYLINDER	BASE
003662	10	25	50	100	250	500	1000	2000	4000	PP	BLUE PP
003663	10	25	50	100	250	500	1000	2000	4000	PMP	BLUE PP

SIZE CODE.....	-0010		-0025		-0050		-0100		-0250	
NOM. WT(gms)...	6		14		24		46		100	
	IN.	MM	IN.	MM	IN.	MM	IN.	MM	IN.	MM
A1 (FLATS).....	1.28	32.5	1.85	47.0	2.25	57.2	2.92	74.2	4.00	101.6
A2 (CORNERS)...	1.38	35.1	1.99	50.5	2.42	61.5	3.14	79.8	4.31	109.5
B (I.D.).....	0.53	13.5	0.74	18.8	0.89	22.6	1.04	26.4	1.36	34.5
C DIM.....	1.03	26.2	1.01	25.7	1.29	32.8	1.52	38.6	1.92	48.8
H (HEIGHT).....	4.34	110.2	5.81	147.5	7.29	185.2	9.88	251.1	13.9	353.1

SIZE CODE.....	-0500		-1000		-2000		-4000	
NOM. WT(gms)...	170		285		450		760	
	IN.	MM	IN.	MM	IN.	MM	IN.	MM
A1 (FLATS).....	4.87	123.7	5.55	141.0	6.99	177.5	7.51	190.8
A2 (CORNERS)...	5.27	133.9	6.00	152.4	7.54	191.5	8.11	206.0
B (I.D.).....	1.83	46.5	2.44	62.0	3.19	81.0	4.00	101.6
C DIM.....	2.44	62.0	3.15	80.0	4.08	103.6	5.18	131.6
H (HEIGHT).....	15.5	393.7	17.7	449.6	20.6	523.2	23.9	607.1

NOTES:

1. ALL DIMENSIONS ARE NOMINAL AND IN INCHES AND MILLIMETERS UNLESS OTHERWISE NOTED.
2. THIS IS NOT A PRODUCTION DRAWING, BUT IS FOR INFORMATIONAL PURPOSES ONLY, AND IS SUBJECT TO CHANGE WITHOUT NOTICE.



SPECS ON BACK

NOT TO SCALE

CONFIDENTIAL

THIS PRODUCT SPECIFICATION SHEET CONTAINS CONFIDENTIAL AND/OR PROPRIETARY INFORMATION AND IS TO BE USED ONLY FOR THE EXPRESSED PURPOSES AGREED UPON BY AN AUTHORIZED OFFICER OF THERMO FISHER SCIENTIFIC.

ThermoFisher
SCIENTIFIC

Thermo Fisher Scientific
75 Panorama Creek Drive
Rochester, NY 14625-2385, USA

MADE	MCC	APP'D	PVC	PSS 00-366X-XXXX-1	REV. 1101
CHK'D	PVC		11/26/01		

DESCRIPTION:
GRADUATED CYLINDERS