

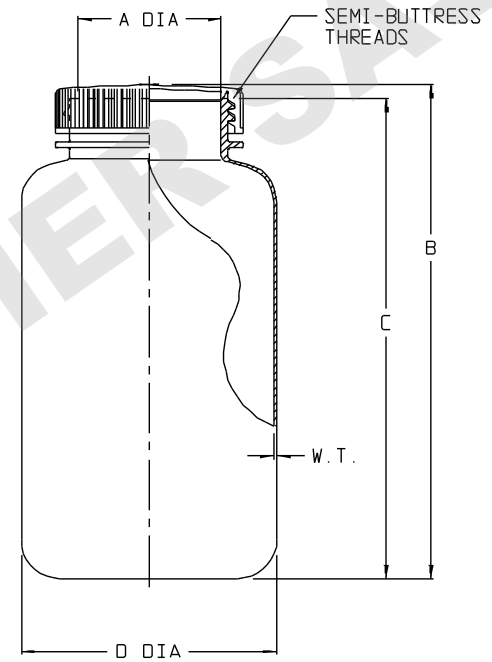
CATALOG NO.	NOMINAL CAPACITY, (oz)						MATERIALS	
							BOTTLE	CLOSURE
002189	1	2	4	8	16	32	HOPE	PP

SIZE CODE.....	-0001		-0002		-0004	
SIZE (NOM VOL nL/oz)	30/ 1		60/ 2		125/ 4	
NOM. BRIM CAP. (nL):	38		70		150	
NECK FINISH (mm)....	28-415		28-415		38-415	
THREAD (T.P.I.).....	6		6		6	
NOM. WEIGHT W/CLOSURE (gms).....	11		15		20	
A (NECK I.D.).....	0.83 ±.02	21.1 ±0.5	0.83 ±.02	21.1 ±0.5	1.110 ±.025	28.19 ±0.64
B (HT. W/CLOSURE)...	2.49 ±.07	63.2 ±1.8	3.39 ±.08	86.1 ±2.0	3.92 ±.08	99.6 ±2.0
C (HT. W/O CLOSURE):	2.35 ±.07	59.7 ±1.8	3.26 ±.08	82.8 ±2.0	3.78 ±.08	96.0 ±2.0
D (DIA).....	1.35 ±.05	34.3 ±1.3	1.53 ±.06	38.9 ±1.5	1.99 ±.06	50.5 ±1.5
W.T.(NOM WALL THK):	0.035	0.90	0.040	1.00	0.030	0.76

SIZE CODE.....	-0008		-0016		-0032	
SIZE (NOM VOL nL/oz)	250/ 8		500/ 16		1000/ 32	
NOM. BRIM CAP. (nL):	300		575		1090	
NECK FINISH (mm)....	43-415		53-415		63-415	
THREAD (T.P.I.).....	6		6		6	
NOM. WEIGHT W/CLOSURE (gms).....	30		55		86	
A (NECK I.D.).....	1.300 ±.025	33.02 ±.64	1.720 ±.025	43.69 ±.64	2.06 ±.03	52.3 ±0.8
B (HT. W/CLOSURE)...	5.16 ±.08	131.1 ±2.0	6.62 ±.09	168.1 ±2.3	7.84 ±.10	199.1 ±2.5
C (HT. W/O CLOSURE):	5.01 ±.08	127.3 ±2.0	6.45 ±.09	163.8 ±2.3	7.67 ±.10	194.8 ±2.5
D (DIA).....	2.40 ±.07	61.0 ±1.8	2.87 ±.08	72.9 ±2.0	3.60 ±.08	91.4 ±2.0
W.T.(NOM WALL THK):	0.030	0.76	0.035	0.90	0.035	0.90

NOTES:

1. ALL DIMENSIONS ARE NOMINAL AND IN INCHES AND MILLIMETERS UNLESS OTHERWISE NOTED.
2. THIS IS NOT A PRODUCTION DRAWING, BUT IS FOR INFORMATIONAL PURPOSES ONLY, AND IS SUBJECT TO CHANGE WITHOUT NOTICE.



SPECS ON BACK

NOT TO SCALE

CONFIDENTIAL

THIS PRODUCT SPECIFICATION SHEET CONTAINS CONFIDENTIAL AND/OR PROPRIETARY INFORMATION AND IS TO BE USED ONLY FOR THE EXPRESSED PURPOSES AGREED UPON BY AN AUTHORIZED OFFICER OF THERMO FISHER SCIENTIFIC.

ThermoFisher
SCIENTIFIC

Thermo Fisher Scientific
75 Panorama Creek Drive
Rochester, NY 14625-2385, USA

MADE MG/JD	APP'D PVC	PSS 00-218X-XXXX-1	REV.
CK'D	6/23/06		0606

DESCRIPTION:

WIDE-MOUTH SAMPLE BOTTLES