

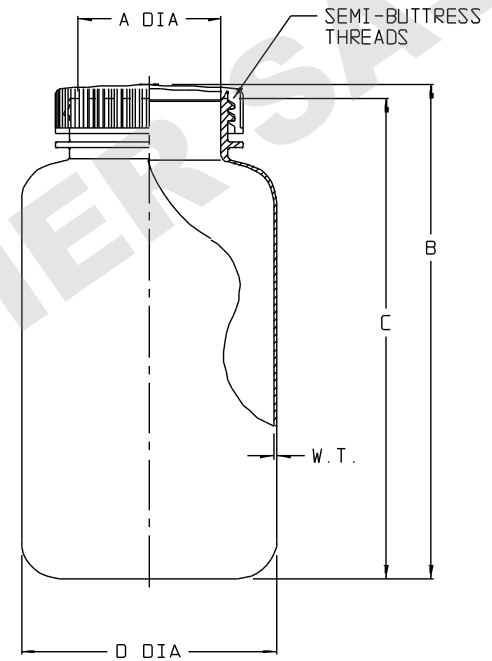
CATALOG NO.	NOMINAL CAPACITY, (oz)						MATERIALS	
							BOTTLE	CLOSURE
002189	1	2	4	8	16	32	HOPE	PP

SIZE CODE.....	-0001		-0002		-0004	
SIZE (NOM VOL nL/oz)	30/ 1		60/ 2		125/ 4	
NOM. BRIM CAP. (nL):	38		70		150	
NECK FINISH (mm)....	28-415		28-415		38-415	
THREAD (T.P.I.).....	6		6		6	
NOM. WEIGHT W/CLOSURE (gms).....	11		15		20	
A (NECK I.D.).....	0.83 ±.02	21.1 ±0.5	0.83 ±.02	21.1 ±0.5	1.110 ±.025	28.19 ±0.64
B (HT. W/CLOSURE)...	2.49 ±.07	63.2 ±1.8	3.39 ±.08	86.1 ±2.0	3.92 ±.08	99.6 ±2.0
C (HT. W/O CLOSURE):	2.35 ±.07	59.7 ±1.8	3.26 ±.08	82.8 ±2.0	3.78 ±.08	96.0 ±2.0
D (DIA).....	1.35 ±.05	34.3 ±1.3	1.53 ±.06	38.9 ±1.5	1.99 ±.06	50.5 ±1.5
W.T.(NOM WALL THK):	0.035	0.90	0.040	1.00	0.030	0.76

SIZE CODE.....	-0008		-0016		-0032	
SIZE (NOM VOL nL/oz)	250/ 8		500/ 16		1000/ 32	
NOM. BRIM CAP. (nL):	300		575		1090	
NECK FINISH (mm)....	43-415		53-415		63-415	
THREAD (T.P.I.).....	6		6		6	
NOM. WEIGHT W/CLOSURE (gms).....	30		55		86	
A (NECK I.D.).....	1.300 ±.025	33.02 ±.64	1.720 ±.025	43.69 ±.64	2.06 ±.03	52.3 ±0.8
B (HT. W/CLOSURE)...	5.16 ±.08	131.1 ±2.0	6.62 ±.09	168.1 ±2.3	7.84 ±.10	199.1 ±2.5
C (HT. W/O CLOSURE):	5.01 ±.08	127.3 ±2.0	6.45 ±.09	163.8 ±2.3	7.67 ±.10	194.8 ±2.5
D (DIA).....	2.40 ±.07	61.0 ±1.8	2.87 ±.08	72.9 ±2.0	3.60 ±.08	91.4 ±2.0
W.T.(NOM WALL THK):	0.030	0.76	0.035	0.90	0.035	0.90

NOTES:

1. ALL DIMENSIONS ARE NOMINAL AND IN INCHES AND MILLIMETERS UNLESS OTHERWISE NOTED.
2. THIS IS NOT A PRODUCTION DRAWING, BUT IS FOR INFORMATIONAL PURPOSES ONLY, AND IS SUBJECT TO CHANGE WITHOUT NOTICE.



SPECS ON BACK

NOT TO SCALE

CONFIDENTIAL

THIS PRODUCT SPECIFICATION SHEET CONTAINS CONFIDENTIAL AND/OR PROPRIETARY INFORMATION AND IS TO BE USED ONLY FOR THE EXPRESSED PURPOSES AGREED UPON BY AN AUTHORIZED OFFICER OF THERMO FISHER SCIENTIFIC.

**ThermoFisher**  
SCIENTIFIC

Thermo Fisher Scientific  
75 Panorama Creek Drive  
Rochester, NY 14625-2385, USA

MADE MG/JD	APP'D PVC	PSS 00-218X-XXXX-1	REV.
CK'D	6/23/06		0606

DESCRIPTION:

WIDE-MOUTH SAMPLE BOTTLES