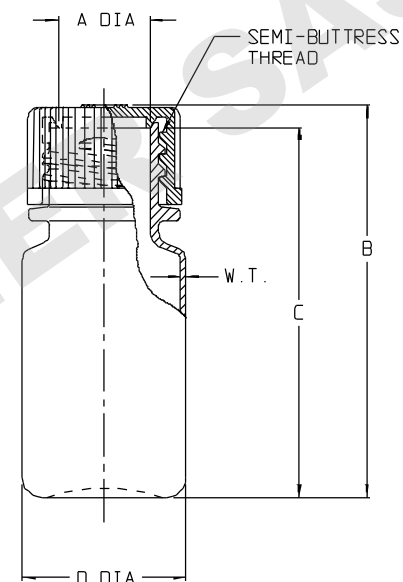


CATALOG NO.	NOMINAL CAPACITY, (oz)				MATERIALS	
					BOTTLE	CLOSURE
002002	1/8	1/4	1/2	1	HDPE	PP
002003	1/8	1/4	1/2	1	LDPE	PP
002004	1/8	1/4	1/2	1	AMBER HDPE	PP
002006	1/8	1/4	1/2	1	PP	PP

SIZE CODE.....	-9125		-9025		-9050		-0001	
SIZE (NOM VOL mL/oz)	4 / 1/8		8 / 1/4		15 / 1/2		32 / 1	
NOM. BRIM CAP. (mL)	4.2		12		17		34	
NECK FINISH (mm)...	13-415		20-415		20-415		20-415	
THREAD (T.P.I.)....	12		8		8		8	
NOM. WEIGHT W/CLOSURE (gns)....	2.6		6		7		8	
	INCH	MM	INCH	MM	INCH	MM	INCH	MM
A (BTLE. NECK I.D.):	0.32±.02	8.1±0.5	0.54±.02	13.7±0.5	0.54±.02	13.7±0.5	0.54±.02	13.7±0.5
B (HT. W/CLOSURE)...	1.60±.04	40.6±1.0	1.78±.05	45.2±1.3	2.30±.06	58.4±1.5	2.40±.07	61.0±1.8
C (HT. W/O CLOSURE):	1.52±.04	38.6±1.0	1.66±.05	42.2±1.3	2.20±.06	55.9±1.5	2.30±.07	58.4±1.8
D (DIA).....	0.62±.04	15.8±1.0	0.98±.04	24.9±1.0	0.98±.04	24.9±1.0	1.35±.05	34.3±1.3
W.T.(NOM. WALL THK):	0.050	1.27	0.035	0.90	0.035	0.90	0.035	0.90

NOTES:

1. ALL DIMENSIONS ARE NOMINAL AND IN INCHES AND MILLIMETERS UNLESS OTHERWISE NOTED.
2. THIS IS NOT A PRODUCTION DRAWING, BUT IS FOR INFORMATIONAL PURPOSES ONLY, AND IS SUBJECT TO CHANGE WITHOUT NOTICE.



SPECS ON BACK

NOT TO SCALE

CONFIDENTIAL

THIS PRODUCT SPECIFICATION SHEET CONTAINS CONFIDENTIAL AND/OR PROPRIETARY INFORMATION AND IS TO BE USED ONLY FOR THE EXPRESSED PURPOSES AGREED UPON BY AN AUTHORIZED OFFICER OF THERMO FISHER SCIENTIFIC.

ThermoFisher
SCIENTIFIC

Thermo Fisher Scientific
75 Panorama Creek Drive
Rochester, NY 14625-2385, USA

MADE	DM	APP'D	PVC	PSS 00-200X-XXXX-1	REV.
CK'D	PVC		B/16/01		0801

DESCRIPTION:
SMALL / DIAGNOSTIC (NARROW MOUTH),
ROUND, LAB QUALITY BOTTLES