

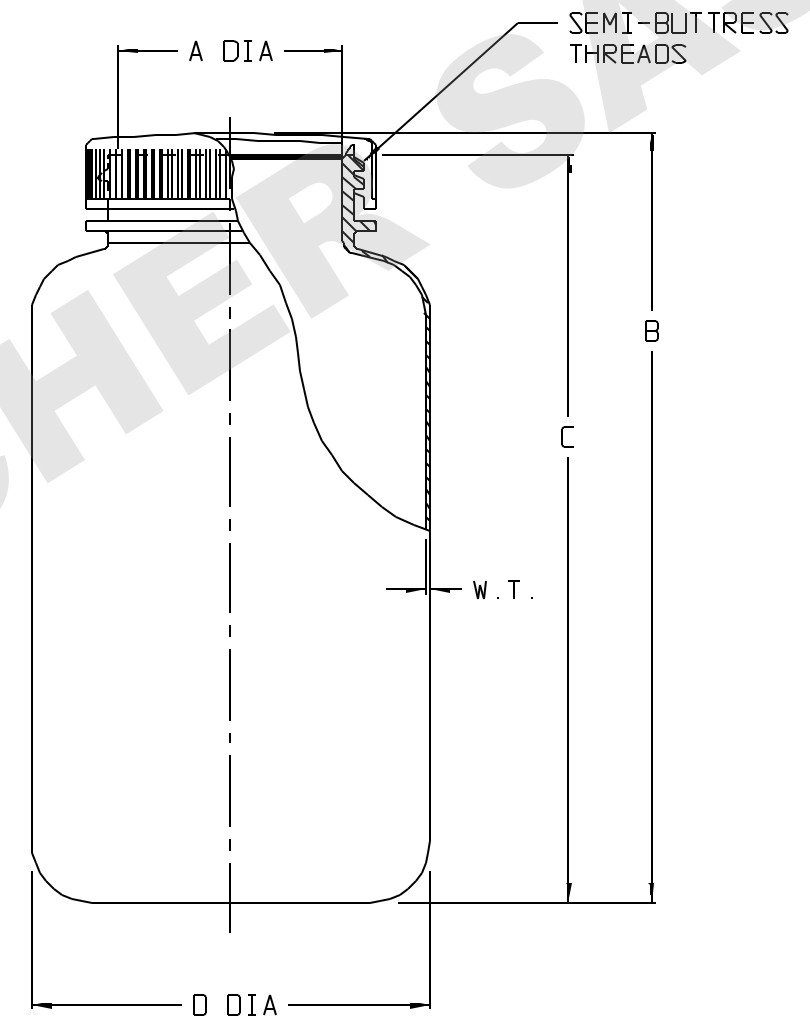
CATALOG NO.	NOMINAL CAPACITY, (oz)						MATERIALS	
							BOTTLE	CLOSURE
002103	1	2	4	8	16	32	LOPE	PP
002104	1	2	4	8	16	32	HOPE	PP
002105	1	2	4	8	16	32	PP	PP
002106	1	2	4	8	16	32	OPAQUE AMBER HOPE	OPAQUE AMBER PP

SIZE CODE.....	-0001		-0002		-0004	
SIZE (NOM VOL mL/oz)	30/1		60/2		125/4	
NOM. BRIM CAP. (mL):	38		70		150	
NECK FINISH (mm)....	28-415		28-415		38-415	
THREAD (T.P.I.).....	6		6		6	
NOM. WEIGHT W/CLOSURE (gms).....	11		15		25	
	IN.	MM	IN.	MM	IN.	MM
A (NECK I.D.).....	0.83 ±0.02	21.1 ±0.5	0.83 ±0.02	21.1 ±0.5	1.110 ±0.025	28.2 ±0.64
B (HT. W/CLOSURE)...	2.49 ±0.07	63.2 ±1.8	3.39 ±0.08	86.1 ±2.0	3.91 ±0.08	99.3 ±2.0
C (HT. W/O CLOSURE):	2.35 ±0.07	59.7 ±1.8	3.26 ±0.08	82.8 ±2.0	3.76 ±0.08	95.5 ±2.0
D (DIA).....	1.35 ±0.05	34.3 ±1.3	1.53 ±0.06	38.9 ±1.5	1.98 ±0.06	50.3 ±1.5
W.T.(NOM. WALL THK):	0.035	0.89	0.040	1.00	0.045	1.14

SIZE CODE.....	-0008		-0016		-0032	
SIZE (NOM VOL mL/oz)	250/8		500/16		1000/32	
NOM. BRIM CAP. (mL):	290		550		1100	
NECK FINISH (mm)....	43-415		53-415		63-415	
THREAD (T.P.I.).....	6		6		6	
NOM. WEIGHT W/CLOSURE (gms).....	36		62		110	
	IN.	MM	IN.	MM	IN.	MM
A (NECK I.D.).....	1.300 ±0.025	33.0 ±0.64	1.720 ±0.025	43.7 ±0.64	2.07 ±0.03	52.6 ±0.8
B (HT. W/CLOSURE)...	5.16 ±0.08	131.1 ±2.0	6.62 ±0.09	168.1 ±2.3	7.84 ±0.10	199.1 ±2.5
C (HT. W/O CLOSURE):	5.01 ±0.08	127.3 ±2.0	6.45 ±0.09	163.8 ±2.3	7.67 ±0.10	194.8 ±2.5
D (DIA).....	2.40 ±0.07	61.0 ±1.8	2.86 ±0.08	72.6 ±2.0	3.60 ±0.08	91.4 ±2.0
W.T.(NOM. WALL THK):	0.050	1.27	0.060	1.52	0.060	1.52

NOTES:

1. ALL DIMENSIONS ARE NOMINAL AND IN INCHES AND MILLIMETERS UNLESS OTHERWISE NOTED.
2. THIS IS NOT A PRODUCTION DRAWING, BUT IS FOR INFORMATIONAL PURPOSES ONLY, AND IS SUBJECT TO CHANGE WITHOUT NOTICE.



SPECS ON BACK

NOT TO SCALE

CONFIDENTIAL

THIS PRODUCT SPECIFICATION SHEET CONTAINS CONFIDENTIAL AND/OR PROPRIETARY INFORMATION AND IS TO BE USED ONLY FOR THE EXPRESSED PURPOSES AGREED UPON BY AN AUTHORIZED OFFICER OF THERMO FISHER SCIENTIFIC.

ThermoFisher
SCIENTIFIC

Thermo Fisher Scientific
75 Panorama Creek Drive
Rochester, NY 14625-2385, USA

MADE	MCC	APP'D	GRP	PSS 00-210X-XXXX-1	REV.	0404
CK'D	DM 4/07/04		4/B/04			
DESCRIPTION:				WIDE-MOUTH, ROUND LAB QUALITY BOTTLES		