

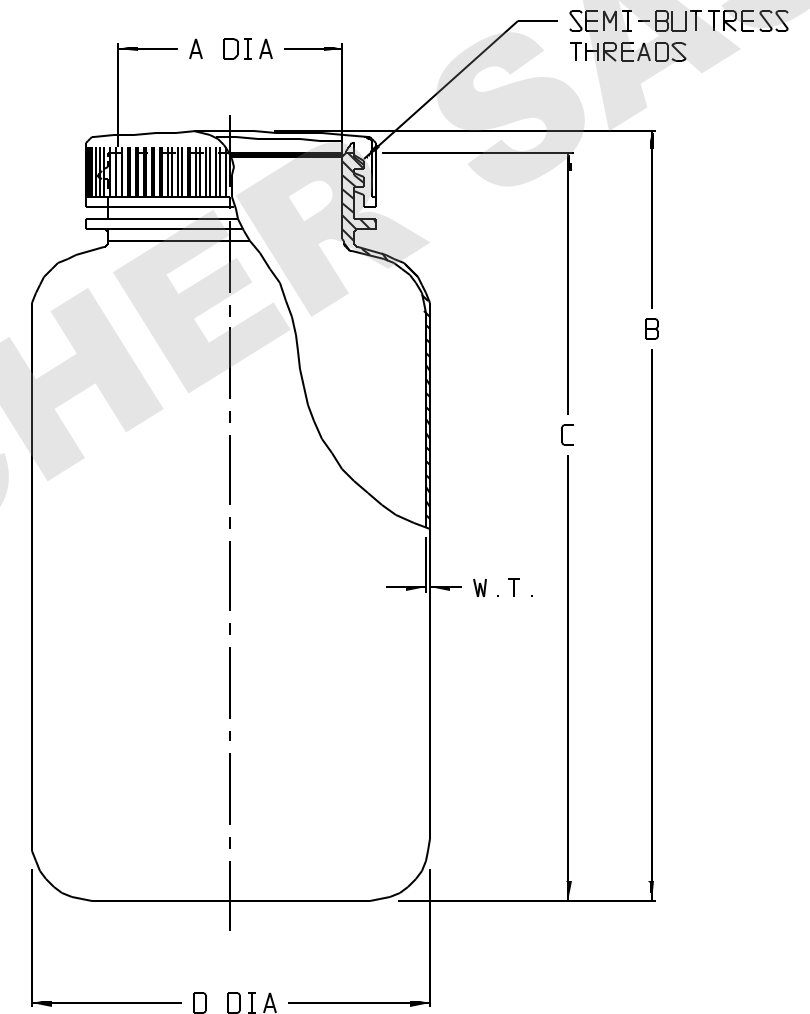
CATALOG NO.	NOMINAL CAPACITY, (oz)						MATERIALS	
							BOTTLE	CLOSURE
002103	1	2	4	8	16	32	LOPE	PP
002104	1	2	4	8	16	32	HOPE	PP
002105	1	2	4	8	16	32	PP	PP
002106	1	2	4	8	16	32	OPAQUE AMBER HOPE	OPAQUE AMBER PP

SIZE CODE.....	-0001		-0002		-0004	
SIZE (NOM VOL mL/oz)	30/1		60/2		125/4	
NOM. BRIM CAP. (mL):	38		70		150	
NECK FINISH (mm)....	28-415		28-415		38-415	
THREAD (T.P.I.).....	6		6		6	
NOM. WEIGHT W/CLOSURE (gms).....	11		15		25	
	IN.	MM	IN.	MM	IN.	MM
A (NECK I.D.).....	0.83 ±0.02	21.1 ±0.5	0.83 ±0.02	21.1 ±0.5	1.110 ±0.025	28.2 ±0.64
B (HT. W/CLOSURE)...	2.49 ±0.07	63.2 ±1.8	3.39 ±0.08	86.1 ±2.0	3.91 ±0.08	99.3 ±2.0
C (HT. W/O CLOSURE):	2.35 ±0.07	59.7 ±1.8	3.26 ±0.08	82.8 ±2.0	3.76 ±0.08	95.5 ±2.0
D (DIA).....	1.35 ±0.05	34.3 ±1.3	1.53 ±0.06	38.9 ±1.5	1.98 ±0.06	50.3 ±1.5
W.T.(NOM. WALL THK):	0.035	0.89	0.040	1.00	0.045	1.14

SIZE CODE.....	-0008		-0016		-0032	
SIZE (NOM VOL mL/oz)	250/8		500/16		1000/32	
NOM. BRIM CAP. (mL):	290		550		1100	
NECK FINISH (mm)....	43-415		53-415		63-415	
THREAD (T.P.I.).....	6		6		6	
NOM. WEIGHT W/CLOSURE (gms).....	36		62		110	
	IN.	MM	IN.	MM	IN.	MM
A (NECK I.D.).....	1.300 ±0.025	33.0 ±0.64	1.720 ±0.025	43.7 ±0.64	2.07 ±0.03	52.6 ±0.8
B (HT. W/CLOSURE)...	5.16 ±0.08	131.1 ±2.0	6.62 ±0.09	168.1 ±2.3	7.84 ±0.10	199.1 ±2.5
C (HT. W/O CLOSURE):	5.01 ±0.08	127.3 ±2.0	6.45 ±0.09	163.8 ±2.3	7.67 ±0.10	194.8 ±2.5
D (DIA).....	2.40 ±0.07	61.0 ±1.8	2.86 ±0.08	72.6 ±2.0	3.60 ±0.08	91.4 ±2.0
W.T.(NOM. WALL THK):	0.050	1.27	0.060	1.52	0.060	1.52

NOTES:

1. ALL DIMENSIONS ARE NOMINAL AND IN INCHES AND MILLIMETERS UNLESS OTHERWISE NOTED.
2. THIS IS NOT A PRODUCTION DRAWING, BUT IS FOR INFORMATIONAL PURPOSES ONLY, AND IS SUBJECT TO CHANGE WITHOUT NOTICE.



SPECS ON BACK

NOT TO SCALE

CONFIDENTIAL

THIS PRODUCT SPECIFICATION SHEET CONTAINS CONFIDENTIAL AND/OR PROPRIETARY INFORMATION AND IS TO BE USED ONLY FOR THE EXPRESSED PURPOSES AGREED UPON BY AN AUTHORIZED OFFICER OF THERMO FISHER SCIENTIFIC.

**ThermoFisher**  
SCIENTIFIC

Thermo Fisher Scientific  
75 Panorama Creek Drive  
Rochester, NY 14625-2385, USA

MADE	MCC	APP'D	GRP	PSS 00-210X-XXXX-1	REV.	0404
CK'D	DM 4/07/04		4/B/04			
DESCRIPTION:				WIDE-MOUTH, ROUND LAB QUALITY BOTTLES		