

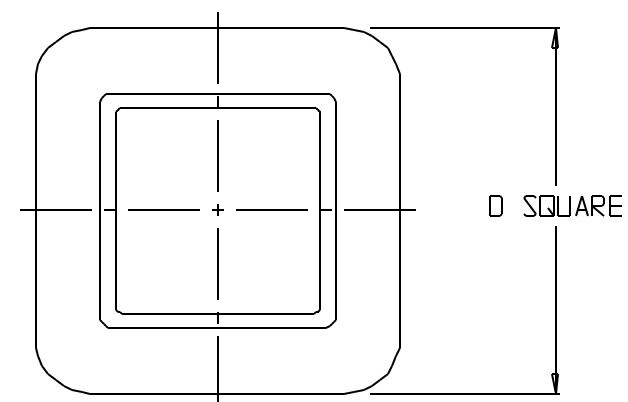
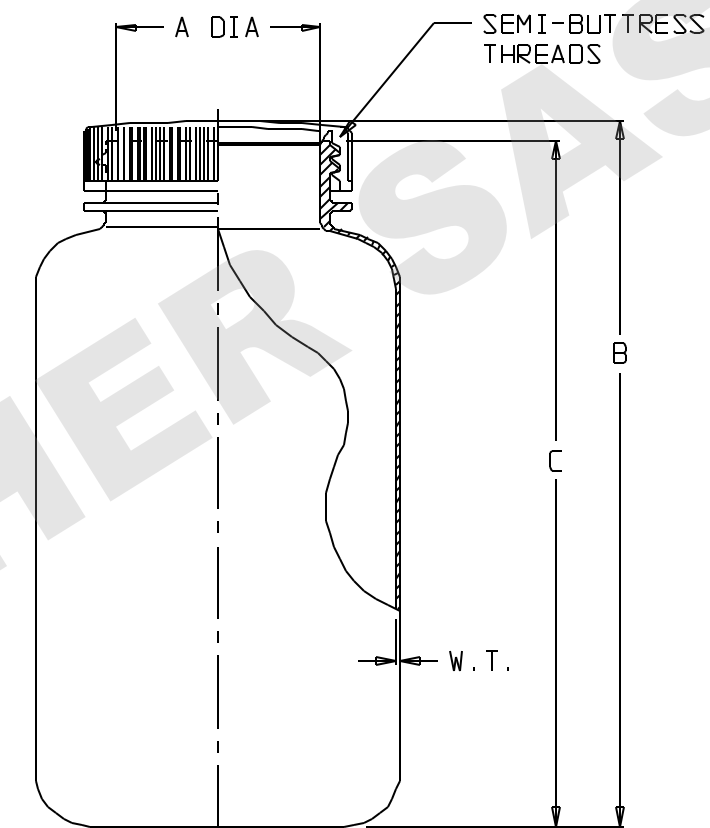
CATALOG NO.	NOMINAL CAPACITY, (oz)					MATERIALS	
						BOTTLE	CLOSURE
002110	2	6	8	16	32	PP	PP
002114	2	6	8	16	32	HDPE	PP

SIZE CODE	-0002		-0006		-0008	
SIZE (NOM VOL mL/oz)	60/ 2		175/ 6		250/ 8	
NOM. BRIM CAP. (mL)	68		185		290	
NECK FINISH (mm)	28-415		38-415		43-415	
THREAD (T.P.I.)	6		6		6	
NOM. WEIGHT W/CLOSURE (gms)	15		33		36	
	INCH	MM	INCH	MM	INCH	MM
A (NECK I.D.)	0.82 ± 0.02	20.8 ± 0.5	1.120 ± 0.025	28.4 ± 0.6	1.280 ± 0.025	32.5 ± 0.6
B (HT. W/CLOSURE)	3.28 ± 0.06	83.3 ± 1.5	4.17 ± 0.08	105.9 ± 2.0	4.56 ± 0.08	115.8 ± 2.0
C (HT. W/O CLOSURE)	3.16 ± 0.06	80.3 ± 1.5	4.04 ± 0.08	102.6 ± 2.0	4.39 ± 0.08	111.5 ± 2.0
D (SQUARE)	1.45 ± 0.03	36.8 ± 0.8	2.05 ± 0.05	52.1 ± 1.3	2.44 ± 0.06	62.0 ± 1.5
W.T. (NOM. WALL THK)	0.045	1.14	0.060	1.52	0.060	1.52

SIZE CODE	-0016		-0032	
SIZE (NOM VOL mL/oz)	500/16		1000/32	
NOM. BRIM CAP. (mL)	570		1170	
NECK FINISH (mm)	53-415		63-415	
THREAD (T.P.I.)	6		6	
NOM. WEIGHT W/CLOSURE (gms)	62		110	
	INCH	MM	INCH	MM
A (NECK I.D.)	1.72 ± 0.03	43.7 ± 0.8	2.07 ± 0.04	52.6 ± 1.0
B (HT. W/CLOSURE)	5.73 ± 0.08	145.5 ± 2.0	7.12 ± 0.09	180.8 ± 2.3
C (HT. W/O CLOSURE)	5.55 ± 0.08	141.0 ± 2.0	6.94 ± 0.09	176.3 ± 2.3
D (SQUARE)	2.97 ± 0.06	75.4 ± 1.5	3.72 ± 0.07	94.5 ± 1.8
W.T. (NOM. WALL THK)	0.065	1.65	0.080	2.03

NOTES:

- ALL DIMENSIONS ARE NOMINAL AND IN INCHES AND MILLIMETERS UNLESS OTHERWISE NOTED.
- THIS IS NOT A PRODUCTION DRAWING, BUT IS FOR INFORMATIONAL PURPOSES ONLY, AND IS SUBJECT TO CHANGE WITHOUT NOTICE.



SPECS ON BACK

NOT TO SCALE

CONFIDENTIAL

THIS PRODUCT SPECIFICATION SHEET CONTAINS CONFIDENTIAL AND/OR PROPRIETARY INFORMATION AND IS TO BE USED ONLY FOR THE EXPRESSED PURPOSES AGREED UPON BY AN AUTHORIZED OFFICER OF THERMO FISHER SCIENTIFIC.

ThermoFisher
SCIENTIFIC

Thermo Fisher Scientific
75 Panorama Creek Drive
Rochester, NY 14625-2385, USA

MADE	MG	APP'D	PVC	PSS 00-211X-XXXX-1	REV.	1291
CK'D	PVC		2/21/92			

DESCRIPTION:
SQUARE, WIDE-MOUTH
LAB QUALITY BOTTLES