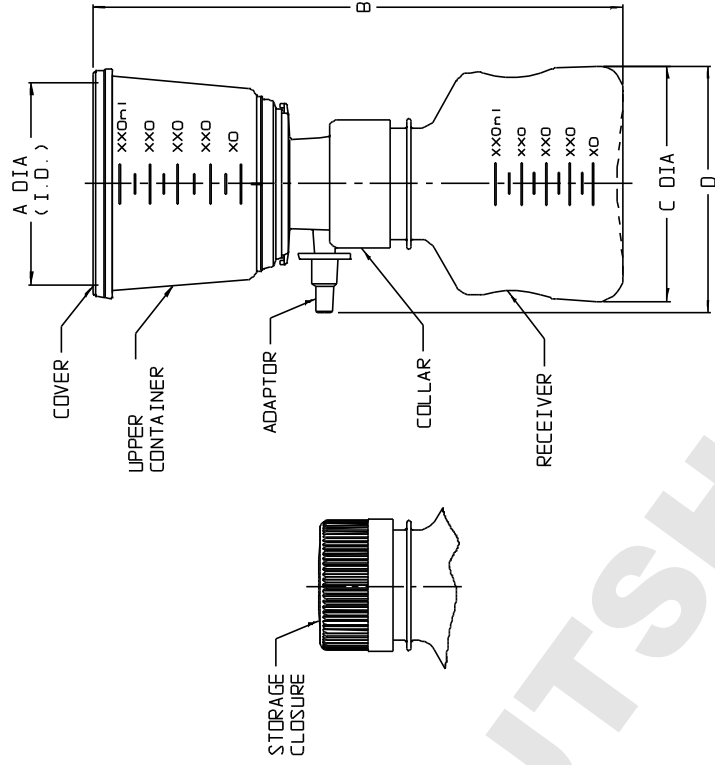


CAT. NO. ....:	125-0020/0045/0080	126-0020/0045/0080	127-0020/0045/0080	
PORE SIZE (µm) .....	0.2/0.45/0.8	0.2/0.45/0.8	0.2/0.45/0.8	
UPPER CAP. (mL) .....	150	250	500	
RECEIVER CAP. (mL) ..:	150	250	1000	
MEMBRANE COLOR .....	WHITE	WHITE	WHITE	
MEMBRANE GRID COLOR (-0020/-0045/-0080):	NONE/GREEN/BLACK	NONE/GREEN/BLACK	NONE/GREEN/BLACK	
MEMBRANE DIA (mm) ..:	50	50	75	
	INCHES	MM	INCHES	MM
A (UPPER I.D.) .....	3.15	80.0	3.15	80.0
B HEIGHT .....	6.15	156.2	7.9	200
C DIA (BASE) .....	3.50	88.9	3.50	88.9
D OVERALL .....	3.7	94	3.7	94
NDM. WT. (gms) .....	78	95	95	205

MATERIALS	
UPPER CONTAINER	PS
COVER	PS
COLLAR	GREEN PS
RECEIVER	PS
STORAGE CLOSURE	WHITE HDPE
ADAPTOR	WHITE LDPE
GASKET	FOAMED LDPE
MEMBRANE	CN
VENT PLUG	CA
PRE-FILTER	GLASS FIBER (127-XXXX ONLY)

- NOTES:
1. ALL DIMENSIONS ARE NOMINAL AND IN INCHES AND MILLIMETERS UNLESS OTHERWISE NOTED.
  2. THIS IS NOT A PRODUCTION DRAWING, BUT IS FOR INFORMATIONAL PURPOSES ONLY, AND IS SUBJECT TO CHANGE WITHOUT NOTICE.



SPECS ON BACK

NOT TO SCALE

**ThermoFisher**  
**SCIENTIFIC**

Thermo Fisher Scientific  
75 Pancromo Creek Drive  
Rochester, NY 14625-2385, USA

DATE	REV
HC	0699
PVC	
APP'D PVC	
6/25/99	
DESCRIPTION:	
	PSS 00-12X-XXXX

STERILIZATION FILTER UNITS

CONFIDENTIAL

THIS PRODUCT SPECIFICATION SHEET CONTAINS CONFIDENTIAL AND/OR PROPRIETARY INFORMATION AND IS TO BE USED ONLY FOR THE EXPRESSED PURPOSES AGREED UPON BY AN AUTHORIZED OFFICER OF THERMO FISHER SCIENTIFIC.