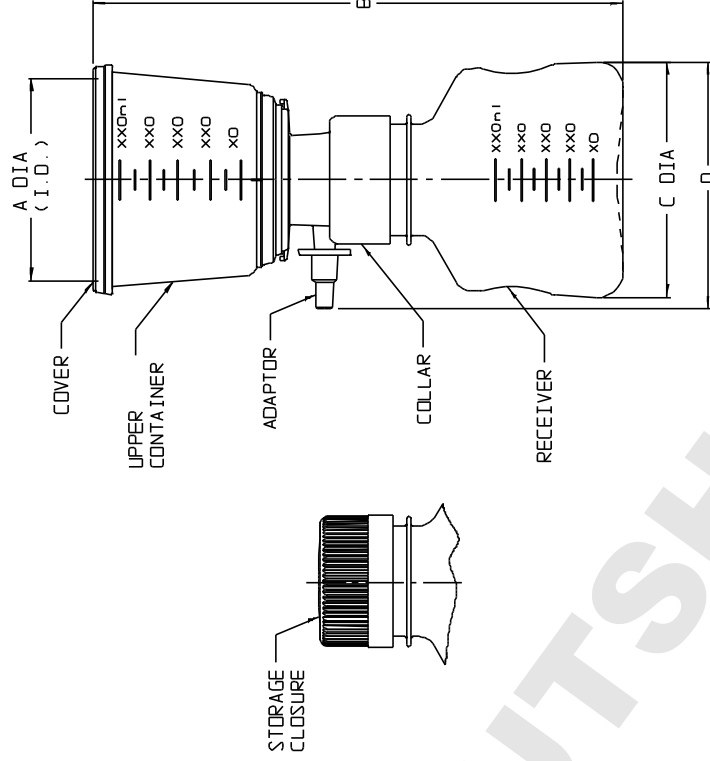


CAT. NO. ....:	125-0020/0045/0080	126-0020/0045/0080	127-0020/0045/0080	
PORE SIZE (um).....:	0.2/0.45/0.8	0.2/0.45/0.8	0.2/0.45/0.8	
UPPER CAP. (mL).....:	150	250	500	
RECEIVER CAP. (mL).....:	150	250	1000	
MEMBRANE COLOR.....:	WHITE	WHITE	WHITE	
MEMBRANE GRID COLOR (-0020/-0045/-0080):	NONE/GREEN/BLACK	NONE/GREEN/BLACK	NONE/GREEN/BLACK	
MEMBRANE DIA (mm).....:	50	50	75	
	INCHES	MM	INCHES	MM
A (UPPER I.D.).....:	3.15	80.0	3.15	80.0
B HEIGHT.....:	6.15	156.2	7.9	200
C DIA (BASE).....:	3.50	88.9	3.50	88.9
D OVERALL.....:	3.7	94	3.7	94
NDM. WT. (gms).....:	78	95	95	205

MATERIALS	
UPPER CONTAINER	PS
COVER	PS
COLLAR	GREEN PS
RECEIVER	PS
STORAGE CLOSURE	WHITE HOPE
ADAPTOR	WHITE LOPE
GASKET	FOAMED LOPE
MEMBRANE	CN
VENT PLUG	CA
PRE-FILTER	GLASS FIBER (127-XXXX ONLY)

- NOTES:
1. ALL DIMENSIONS ARE NOMINAL AND IN INCHES AND MILLIMETERS UNLESS OTHERWISE NOTED.
  2. THIS IS NOT A PRODUCTION DRAWING, BUT IS FOR INFORMATIONAL PURPOSES ONLY, AND IS SUBJECT TO CHANGE WITHOUT NOTICE.



SPECS ON BACK

NOT TO SCALE

**ThermoFisher**  
**SCIENTIFIC**

Thermo Fisher Scientific  
75 Pancromo Creek Drive  
Rochester, NY 14625-2385, USA

DATE	REV
HC	0699
PVC	
APP'D	
6/25/99	
DESCRIPTION:	
	PSS 00-12X-XXXX

STERILIZATION FILTER UNITS

CONFIDENTIAL

THIS PRODUCT SPECIFICATION SHEET CONTAINS CONFIDENTIAL AND/OR PROPRIETARY INFORMATION AND IS TO BE USED ONLY FOR THE EXPRESSED PURPOSES AGREED UPON BY AN AUTHORIZED OFFICER OF THERMO FISHER SCIENTIFIC.