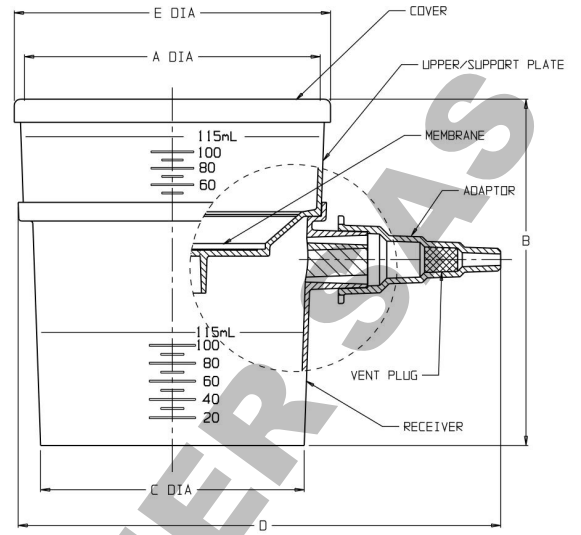


CAT. NO. ....	124-0020/0045	
RECEIVER CAP. (mL) ..	115	
PORE SIZE (µm) .....	0.2/0.45	
MEMBRANE DIA (mm) ..	50	
	INCH	MM
A (UPPER I. D.) .....	3.20	81.3
B (HEIGHT) .....	3.77	95.76
C (BASE DIA.) .....	2.87	72.9
D (OVERALL) .....	5.22	132.6
NDM. WT. (gms) .....	62	
MATERIALS		
UPPER/SUPPORT PLATE	PS	
COVER	PS	
RECEIVER	PS	
ADAPTOR	WHITE LOPE	
VENT PLUG	CA	
MEMBRANE	PES PLAIN WHITE	



SPECS ON BACK

NOT TO SCALE

NOTES:

1. ALL DIMENSIONS ARE NOMINAL AND IN INCHES AND MILLIMETERS UNLESS OTHERWISE NOTED.
2. THIS IS NOT A PRODUCTION DRAWING, BUT IS FOR INFORMATIONAL PURPOSES ONLY, AND IS SUBJECT TO CHANGE WITHOUT NOTICE.

CONFIDENTIAL

THIS PRODUCT SPECIFICATION SHEET CONTAINS CONFIDENTIAL AND/OR PROPRIETARY INFORMATION AND IS TO BE USED ONLY FOR THE EXPRESSED PURPOSES AGREED UPON BY AN AUTHORIZED OFFICER OF THERMO FISHER SCIENTIFIC.

**ThermoFisher**  
SCIENTIFIC

Thermo Fisher Scientific  
75 Panoroma Creek Drive  
Rochester, NY 14625-2385, USA

DATE	PB	APP'D	JMC	PSS 00-0124-00XX	REV.	1107
DATE	JMC		11/29/07			

DESCRIPTION: 115mL STERILIZATION  
PES FILTER UNITS

DOMINIQUE DUTCH