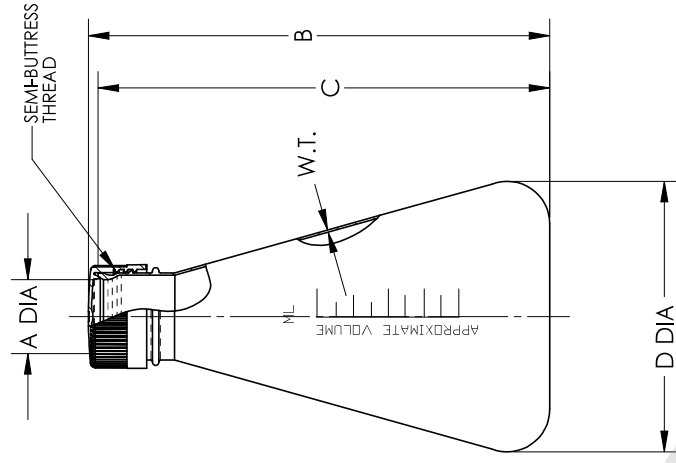


CATALOG NUMBER	NOMINAL CAPACITY (ml.)						BOTTLE		MATERIALS	
	125	250	500	1000	2000	2800	PETG	CLOSURE	LINER(70mm ONLY)	LDPE/FOAM
004112										

SIZE CODE.....:	-0125	-0250	-0500
NOM. CAP .....	125	250	500
CLOSURE SIZE (mm).....:	38/430	38/430	45/430
NOM. WEIGHT W/ CLOSURE (gms).....:	35	45	94
A (NECK I.D.).....:	INCH	MM	INCH
	1.04	26.4	1.04
B (HT. W/ CLOSURE).....:	4.45	113.0	5.41
C (HT W/O CLOSURE).....:	4.30	109.2	5.27
D [DIA.].....:	2.61	66.3	3.25
W.T. (NOM. WALL THK.).....:	.03	0.7	.03

SIZE CODE.....:	-1000	-2000	-2800
NOM. CAP .....	1000	2000	2800
CLOSURE SIZE (mm).....:	45/430	45/430	70
NOM. WEIGHT W/ CLOSURE (gms).....:	130	180	275
A (NECK I.D.).....:	INCH	MM	NOM
	1.40	35.6	1.40
B (HT. W/ CLOSURE).....:	8.70	221.0	10.75
C (HT W/O CLOSURE).....:	8.57	217.7	10.62
D [DIA.].....:	5.11	129.8	6.36
W.T. (NOM. WALL THK.).....:	.03	0.7	.03

1. ALL DIMENSIONS ARE NOMINAL AND IN INCHES AND MILLIMETERS UNLESS OTHERWISE NOTED.
2. THIS IS NOT A PRODUCTION DRAWING, BUT IS FOR INFORMATIONAL PURPOSES ONLY, AND IS SUBJECT TO CHANGE WITHOUT NOTICE.



SPECS ON BACK

NOT TO SCALE

### CONFIDENTIAL

THIS PRODUCT SPECIFICATION SHEET CONTAINS CONFIDENTIAL AND/OR PROPRIETARY INFORMATION AND IS TO BE USED ONLY FOR THE EXPRESSED PURPOSES AGREED UPON BY AN AUTHORIZED OFFICER OF THERMO FISHER SCIENTIFIC.

**ThermoFisher**  
S C I E N T I F I C

Thermo Fisher Scientific  
75 Panoloma Creek Drive  
Rochester, NY 14625-2385, USA

NAME TL GRP  
DATE CHL 3/5/13  
DESCRIPTION:

PSS 00-4112-XXXX

REV. 0313

STERILE DISPOSABLE FLASKS