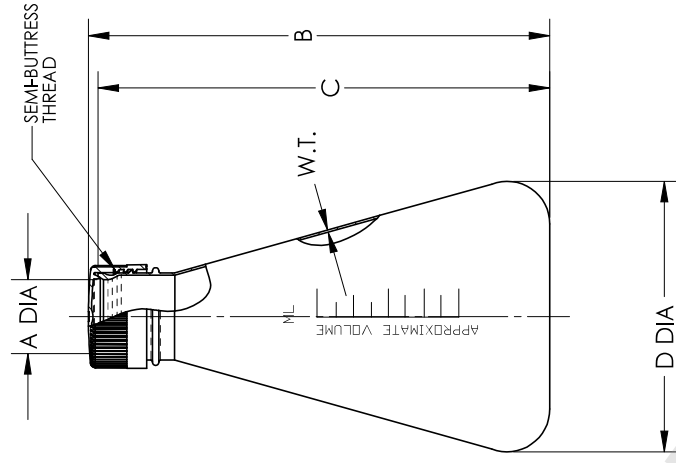


CATALOG NUMBER	NOMINAL CAPACITY (ml.)						BOTTLE		MATERIALS	
	125	250	500	1000	2000	2800	PETG	CLOSURE	LINER(70mm ONLY)	LDPE/FOAM
004112										

SIZE CODE.....:	-0125	-0250	-0500						
NOM. CAP.....:	125	250	500	1000	2000	2800			
CLOSURE SIZE (mm).....:	38/430	38/430	45						
NOM. WEIGHT W/ CLOSURE (gms).....:	35	45	94						
A (NECK I.D.).....:	INCH	MM	INCH	MM	INCH	MM			
B (HT. W/ CLOSURE).....:	1.04	26.4	1.04	26.4	1.48	37.6			
C (HT W/O CLOSURE).....:	4.45	113.0	5.41	137.4	7.00	177.8			
D (DIA.).....:	4.30	109.2	5.27	133.9	6.83	173.5			
W.T. (NOM. WALL THK.).....:	2.61	66.3	3.25	82.6	4.00	101.6			
	.03	0.7	.03	0.7	0.05	1.3			

SIZE CODE.....:	-1000	-2000	-2800						
NOM. CAP.....:	1000	2000	2800						
CLOSURE SIZE (mm).....:	45/430	45/430	70						
NOM. WEIGHT W/ CLOSURE (gms).....:	130	180	275						
A (NECK I.D.).....:	INCH	MM	NOM	MM	NOM	MM			
B (HT. W/ CLOSURE).....:	1.40	35.6	1.40	35.6	2.49	63.2			
C (HT W/O CLOSURE).....:	8.70	221.0	10.75	273.1	9.42	239.3			
D (DIA.).....:	8.57	217.7	10.62	269.8	9.04	229.6			
W.T. (NOM. WALL THK.).....:	5.11	129.8	6.36	161.5	8.00	203.2			
	.03	0.7	.03	0.7	.025	0.64			

1. ALL DIMENSIONS ARE NOMINAL AND IN INCHES AND MILLIMETERS UNLESS OTHERWISE NOTED.
2. THIS IS NOT A PRODUCTION DRAWING, BUT IS FOR INFORMATIONAL PURPOSES ONLY, AND IS SUBJECT TO CHANGE WITHOUT NOTICE.



SPECS ON BACK

NOT TO SCALE

CONFIDENTIAL

THIS PRODUCT SPECIFICATION SHEET CONTAINS CONFIDENTIAL AND/OR PROPRIETARY INFORMATION AND IS TO BE USED ONLY FOR THE EXPRESSED PURPOSES AGREED UPON BY AN AUTHORIZED OFFICER OF THERMO FISHER SCIENTIFIC.

ThermoFisher
S C I E N T I F I C

Thermo Fisher Scientific
75 Panoloma Creek Drive
Rochester, NY 14625-2385, USA

NAME: TL
DATE: CHL
ISSUED: 3/5/13
GRP

PSS 00-4112-XXXX

REV: 0313

STERILE DISPOSABLE FLASKS