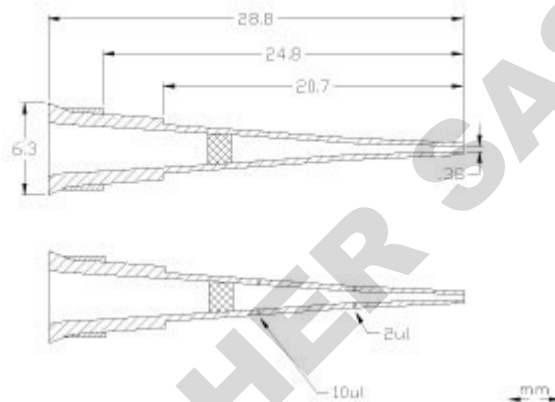




## 10 µl (0.1 - 10 µl) Ultra G Barrier - Catalog #28200



Catalog #	Description
28200	Natural, Polypropylene, Sterile
Packaging Type	Packaging Details
Racked Tips	Sterile, 96 Tips/Rack, 10 Racks/Pack, 5 Packs/Case, Cell Rack
Attributes	



Certified RNase/DNase Free  
 Certified Human DNA Free  
 Certified PCR Inhibitor Free  
 Certified Pyrogen Free

**Material:** Polypropylene

**Volume Range:** 0.1-10 µl

**Grad Lines:** 2, 10 µl