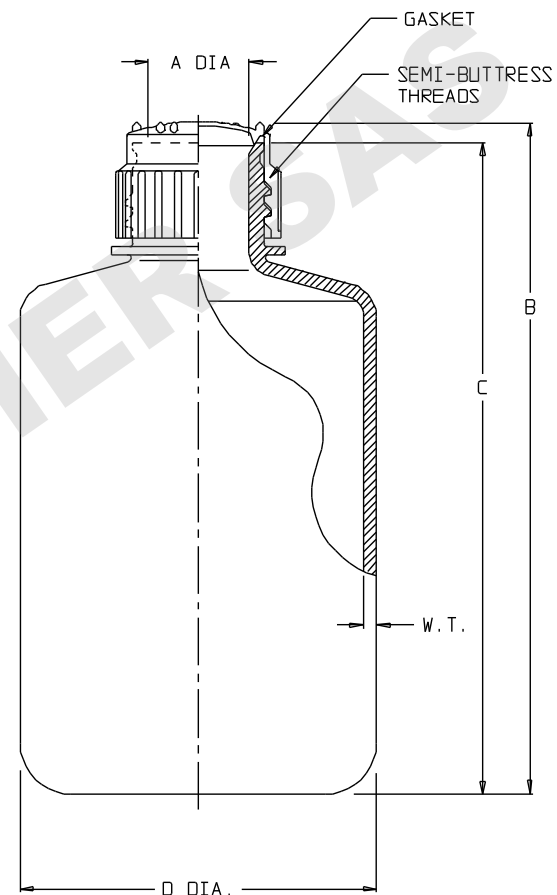


CATALOG NO.	NOMINAL CAPACITY (GAL)				MATERIALS		
					BOTTLE	CLOSURE	GASKET IN CLOSURE
002126	1/4	1/2	1	1 1/4	PP	WHITE PP	TPE (KRATON)

SIZE CODE	-1000		-2000		-4000		-5000	
SIZE (NOM VOL L/GAL)	1/ 1/4		2/ 1/2		4/ 1		5/ 1 1/4	
NOM. BRIM CAP. (mL):	940		1995		4120		5370	
NECK FINISH (mm):	53B		53B		83B		83B	
THREAD (T.P.I.):	4		4		2		2	
NOM. WEIGHT W/CLOSURE (gms):	240		440		790		1040	
	INCH	MM	INCH	MM	INCH	MM	INCH	MM
A (NECK I.D.):	1.50 ±.04	38.1 ±1.0	1.50 ±.04	38.1 ±1.0	2.56 ±.04	65.0 ±1.0	2.50 ±.04	63.5 ±1.0
B (HT. W/CLOSURE):	8.93 ±.12	226.8 ±3.0	10.38 ±.12	263.7 ±3.0	13.32 ±.14	338.3 ±3.6	16.30 ±.16	414.0 ±4.1
C (HT. W/O CLOSURE):	8.60 ±.12	218.4 ±3.0	10.00 ±.12	254.0 ±3.0	12.86 ±.14	326.6 ±3.6	15.84 ±.16	402.3 ±4.1
D (DIA):	3.62 ±.10	92.0 ±2.5	4.72 ±.10	119.9 ±2.5	6.12 ±.10	155.4 ±2.5	6.15 ±.10	156.2 ±2.5
W.T. (NOM WALL THK.):	.13	3.3	.19	4.8	.19	4.8	.25	6.4

2. This is not a production drawing, but is for informational purposes only, and is subject to change without notice.

1. All dimensions are nominal and in inches and millimeters unless otherwise noted.



NOT TO SCALE

SPECS ON BACK

CONFIDENTIAL

THIS PRODUCT SPECIFICATION SHEET CONTAINS CONFIDENTIAL AND/OR PROPRIETARY INFORMATION AND IS TO BE USED ONLY FOR THE EXPRESSED PURPOSES AGREED UPON BY AN AUTHORIZED OFFICER OF THERMO FISHER SCIENTIFIC.

ThermoFisher
SCIENTIFIC

Thermo Fisher Scientific
75 Panorama Creek Drive
Rochester, NY 14625-2385, USA

MADE	MG/JD	APP	PVC	PSS 00-2126-XXXX-1	REV.	1102
CHK'D	PVC		11/25/02			

DESCRIPTION:

HEAVY DUTY ROUND
LAB QUALITY BOTTLES