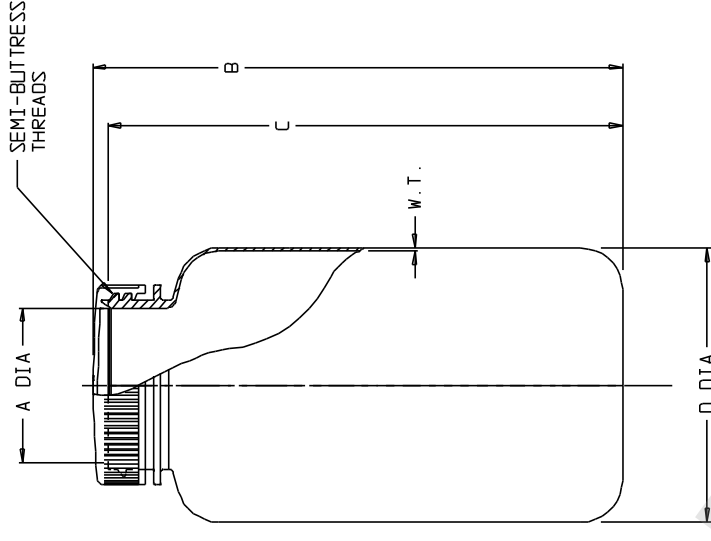


CATALOG NO.	NOMINAL CAPACITY (oz)			MATERIALS	
	4	8	16	BOTTLE	CLOSURE
002107			32	TRANSPARENT PMP	PP

SIZE CODE	-0004	-0008	-0016	-0032
SIZE (NOM VDL nL/oz)	125/4	250/8	500/16	1000/32
NOM. BRIM CAP. (nL)	135	270	520	1080
NECK FINISH (mm)	33-415	43-415	48-415	53-415
THREAD (T.P.I.)	6	6	6	6
NOM. WEIGHT W/CLOSURE (gms)	25	32	62	84
A (NECK I.D.)	1.110 ± 0.025	1.300 ± 0.025	1.460 ± 0.025	1.64 ± 0.03
B (HT. W/CLOSURE)	4.57 ± 0.08	5.05 ± 0.08	6.48 ± 0.09	8.20 ± 0.10
C (HT. W/O CLOSURE)	4.40 ± 0.08	4.88 ± 0.08	6.30 ± 0.09	7.96 ± 0.10
D (DIA)	1.80 ± 0.06	2.35 ± 0.07	2.85 ± 0.08	3.56 ± 0.08
W.T. (NOM. WALL THK)	0.060	0.060	0.050	0.050

- NOTES:
1. ALL DIMENSIONS ARE NOMINAL AND IN INCHES AND MILLIMETERS UNLESS OTHERWISE NOTED.
  2. THIS IS NOT A PRODUCTION DRAWING, BUT IS FOR INFORMATIONAL PURPOSES ONLY, AND IS SUBJECT TO CHANGE WITHOUT NOTICE.



NOT TO SCALE

NOT TO SCALE

SPECS ON BACK

**ThermoFisher**  
**SCIENTIFIC**

Thermo Fisher Scientific  
75 Pancromo Creek Drive  
Rochester, NY 14625-2385, USA

NAME	DATE	DESCRIPTION
MLC PVC	2/15/91	
APP'D PVC		

PSS 00-2107-XXXX-1

WIDE-MOUTH, ROUND  
LAB QUALITY BOTTLES

CONFIDENTIAL

THIS PRODUCT SPECIFICATION SHEET CONTAINS CONFIDENTIAL AND/OR PROPRIETARY INFORMATION AND IS TO BE USED ONLY FOR THE EXPRESSED PURPOSES AGREED UPON BY AN AUTHORIZED OFFICER OF THERMO FISHER SCIENTIFIC.