

CATALOG NO.	NOMINAL CAPACITY, (oz)						MATERIALS		
	1	2	4	8	16	32	64	BOTTLE	CLOSURE
002015								PC	PP*

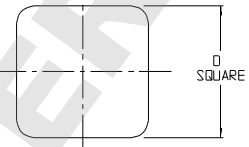
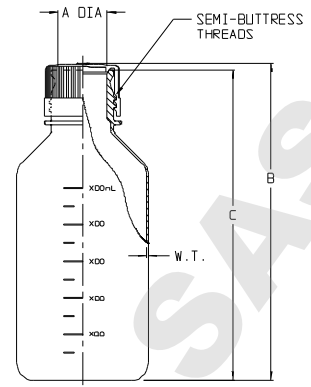
* 53B CLOSURE - 1000 SIZE IS WHITE PP.

SIZE CODE	-0030	-0060	-0125	-0250				
SIZE (NOM VOL. mL/oz)	30/1	60/2	125/4	250/8				
NOM. BRIM CAP. (mL)	45	76	169	318				
NECK FINISH (mm)	20-415	24-415	38-430	38-430				
THREAD (T.P.I.)	8	8	6	6				
NOM. WEIGHT W/CLOSURE (gms)	14.5	20	49	60				
	INCH	MM	INCH	MM	INCH	MM	INCH	MM
A (NECK I.D.)	0.54 ±0.02	13.7 ±0.5	0.70 ±0.02	17.8 ±0.5	1.100 ±0.025	27.94 ±0.64	1.100 ±0.025	27.94 ±0.64
B (HT. W/CLOSURE)	2.50 ±0.05	63.5 ±1.3	3.25 ±0.06	82.6 ±1.5	4.29 ±0.08	109.2 ±2.0	5.72 ±0.08	145.3 ±2.0
C (HT. W/O CLOSURE)	2.39 ±0.05	60.7 ±1.3	3.15 ±0.06	80.0 ±1.5	4.12 ±0.08	104.6 ±2.0	5.55 ±0.08	141.0 ±2.0
D (SQUARE)	1.50 ±0.05	38.1 ±1.3	1.58 ±0.06	40.1 ±1.5	2.05 ±0.06	52.1 ±1.5	2.30 ±0.06	58.4 ±1.5
W.T. (NOM. WALL THK.)	0.04	1.0	0.04	1.0	0.06	1.5	0.06	1.5

SIZE CODE	-0500	-1000	-2000			
SIZE (NOM VOL. mL/oz)	500/16	1000/32	2000/64			
NOM. BRIM CAP. (mL)	595	1210	2380			
NECK FINISH (mm)	38-430	38-430	53B*			
THREAD (T.P.I.)	6	6	4			
NOM. WEIGHT W/CLOSURE (gms)	108	170	325			
	INCH	MM	INCH	MM	INCH	MM
A (NECK I.D.)	1.100 ±0.025	27.94 ±0.64	1.100 ±0.025	27.94 ±0.64	1.53 ±0.03	38.9 ±0.8
B (HT. W/CLOSURE)	6.98 ±0.09	177.3 ±2.3	8.63 ±0.10	219.2 ±2.5	10.65 ±0.14	270.5 ±3.6
C (HT. W/O CLOSURE)	6.80 ±0.09	172.7 ±2.3	8.43 ±0.10	214.1 ±2.5	10.42 ±0.14	264.7 ±3.6
D (SQUARE)	2.90 ±0.08	73.7 ±2.0	3.65 ±0.07	92.7 ±1.8	4.57 ±0.10	116.1 ±2.5
W.T. (NOM. WALL THK.)	0.06	1.5	0.05	1.3	0.09	2.3

NOTES:

1. ALL DIMENSIONS ARE NOMINAL AND IN INCHES AND MILLIMETERS UNLESS OTHERWISE NOTED.
2. THIS IS NOT A PRODUCTION DRAWING, BUT IS FOR INFORMATIONAL PURPOSES ONLY, AND IS SUBJECT TO CHANGE WITHOUT NOTICE.



SPECS ON BACK

NOT TO SCALE

CONFIDENTIAL

THIS PRODUCT SPECIFICATION SHEET CONTAINS CONFIDENTIAL AND/OR PROPRIETARY INFORMATION AND IS TO BE USED ONLY FOR THE EXPRESSED PURPOSES AGREED UPON BY AN AUTHORIZED OFFICER OF THERMO FISHER SCIENTIFIC.

ThermoFisher
SCIENTIFIC

Thermo Fisher Scientific
75 Panorama Creek Drive
Rochester, NY 14625-2385, USA

MADE IN	TL	REVISED BY	GP	PSS 00-2015-XXXX-1	REV.	1009
DATE	10/22/09	DATE	10/23/09			
DESCRIPTION:	SQUARE, NARROW-MOUTH GRADUATED LAB QUALITY BOTTLES					