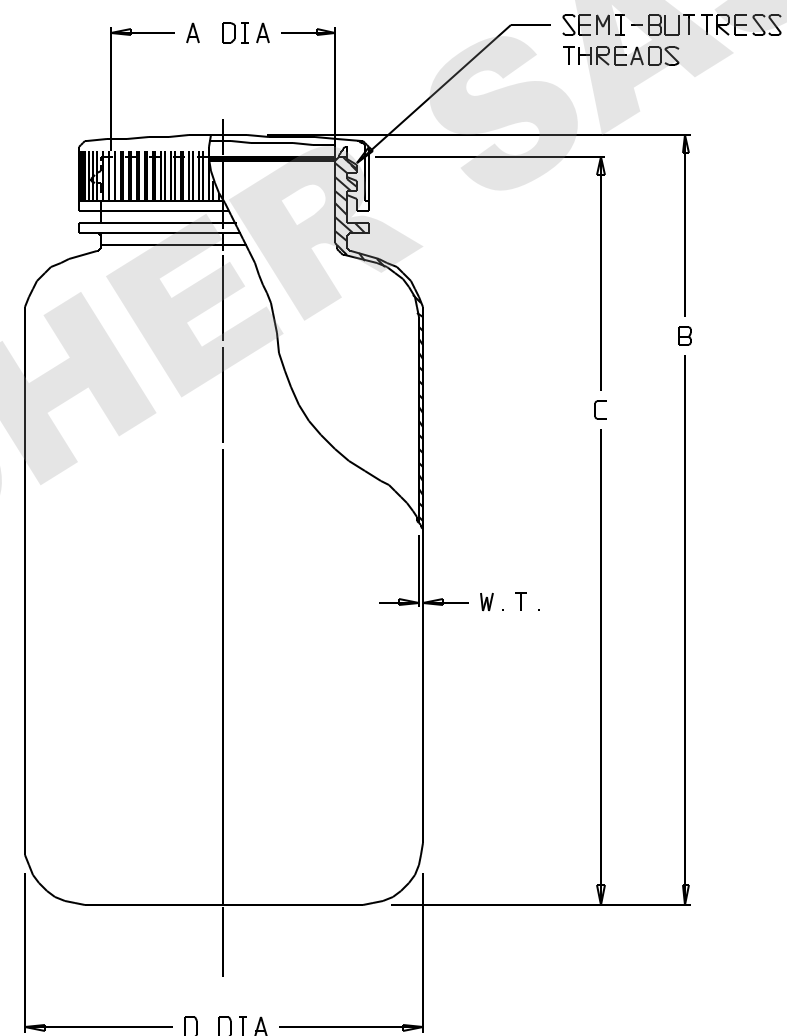


CATALOG NO.	NOMINAL CAPACITY (oz)				MATERIALS	
					BOTTLE	CLOSURE
002107	4	8	16	32	TRANSPARENT PMP	PP

SIZE CODE.....	-0004	-0008	-0016	-0032
SIZE (NOM VOL mL/oz)	125/4	250/8	500/16	1000/32
NOM. BRIM CAP. (mL):	135	270	520	1080
NECK FINISH (mm)....	33-415	43-415	48-415	53-415
THREAD (T.P.I.).....	6	6	6	6
NOM. WEIGHT W/CLOSURE (gms).....	25	32	62	84
A (NECK I.D.).....	1.110 ±.025	1.300 ±.025	1.460 ±.025	1.64 ±.03
B (HT. W/CLOSURE)...	4.57 ±.08	5.05 ±.08	6.48 ±.09	8.20 ±.10
C (HT. W/O CLOSURE):	4.40 ±.08	4.88 ±.08	6.30 ±.09	7.96 ±.10
D (DIA).....	1.80 ±.06	2.35 ±.07	2.85 ±.08	3.56 ±.08
W.T.(NOM. WALL THK):	0.060	0.060	0.050	0.050

NOTES:

1. ALL DIMENSIONS ARE NOMINAL AND IN INCHES AND MILLIMETERS UNLESS OTHERWISE NOTED.
2. THIS IS NOT A PRODUCTION DRAWING, BUT IS FOR INFORMATIONAL PURPOSES ONLY, AND IS SUBJECT TO CHANGE WITHOUT NOTICE.



NOT TO SCALE

SPECS ON BACK

NOT TO SCALE

CONFIDENTIAL

THIS PRODUCT SPECIFICATION SHEET CONTAINS CONFIDENTIAL AND/OR PROPRIETARY INFORMATION AND IS TO BE USED ONLY FOR THE EXPRESSED PURPOSES AGREED UPON BY AN AUTHORIZED OFFICER OF THERMO FISHER SCIENTIFIC.

ThermoFisher
SCIENTIFIC

Thermo Fisher Scientific
75 Panorama Creek Drive
Rochester, NY 14625-2385, USA

MADE	MCC	APP'D	PVC	PSS 00-2107-XXXX-1	REV.	-
CK'D	PVC		2/15/91			

DESCRIPTION:
WIDE-MOUTH, ROUND
LAB QUALITY BOTTLES