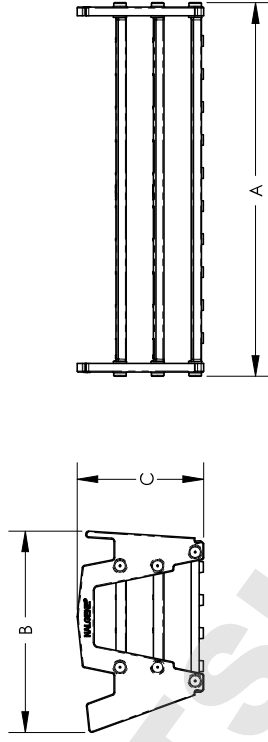
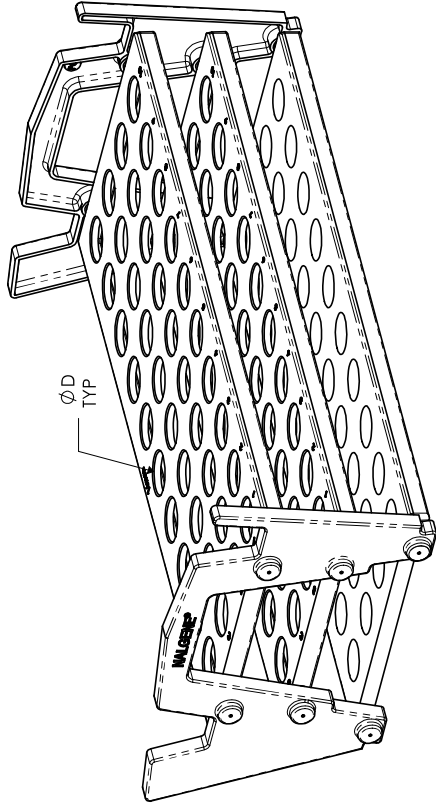


CATALOG NO.....	005935-0016	005935-0020		
TEST TUBE SIZE.....	16mm	20mm		
MATERIAL.....	PC	PC		
	INCH	MM	INCH	MM
A (LENGTH).....	11.3 ±0.1	287 ±3	11.3 ±0.1	287 ±3
B (WIDTH).....	6.09 ±0.05	154.7 ±1.3	6.09 ±0.05	154.7 ±1.3
C (HEIGHT).....	3.83 ±0.05	97.3 ±1.3	3.83 ±0.05	97.3 ±1.3
D (DIA).....	0.67 ±0.1	17.0 ±.25	0.81 ±.01	20.6 ±.25
HOLE ARRAY.....	4 x 10	4 x 10		

1. ALL DIMENSIONS ARE NOMINAL AND IN INCHES AND MILLIMETERS UNLESS OTHERWISE NOTED.
2. THIS IS NOT A PRODUCTION DRAWING, BUT IS FOR INFORMATIONAL PURPOSES ONLY, AND IS SUBJECT TO CHANGE WITHOUT NOTICE.



SPECS ON BACK

NOT TO SCALE

ThermoFisher
S C I E N T I F I C

Thermo Fisher Scientific
75 Panorama Creek Drive
Rochester, NY 14625-2385, USA

NAME	JDD	DATE	PVC	REV	0908
			9/3/08		
PSS 005935-00XX					

16/20mm PC TEST TUBE RACK

CONFIDENTIAL

THIS PRODUCT SPECIFICATION SHEET CONTAINS CONFIDENTIAL AND/OR PROPRIETARY INFORMATION AND IS TO BE USED ONLY FOR THE EXPRESSED PURPOSES AGREED UPON BY AN AUTHORIZED OFFICER OF THERMO FISHER SCIENTIFIC.