

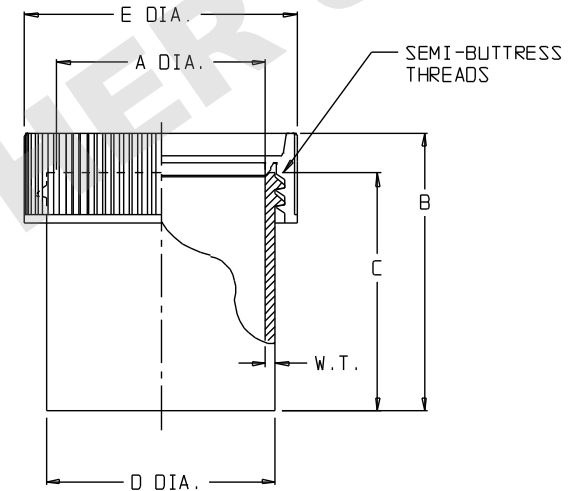
CATALOG NO.	NOMINAL CAPACITY, (oz)							MATERIALS	
								JAR	CLOSURE
002118	1/2	1	2	4	8	16	32	PP	PP

SIZE CODE.....	-9050	-0001	-0002	-0004				
SIZE (NOM VOL mL/oz)	15/ 1/2	30/ 1	60/ 2	125/ 4				
NOM. BRIM CAP. (nL)	16	32	60	180				
NECK FINISH (mm)....	38-415	43-415	53-415	70				
THREAD (T.P.I.).....	6	6	6	4				
NOM. WEIGHT W/CLOSURE (gms).....	14	20	26	50				
	INCH	MM	INCH	MM	INCH	MM	INCH	MM
A (NECK I.D.).....	1.15 ±0.03	29.2 ±0.8	1.30 ±0.03	33.0 ±0.8	1.74 ±0.04	44.2 ±1.0	2.52 ±0.05	64.0 ±1.3
B (HT. W/CLOSURE)...	1.82 ±0.06	46.2 ±1.5	1.95 ±0.06	47.0 ±1.5	1.88 ±0.06	47.8 ±1.5	2.90 ±0.09	73.7 ±2.3
C (HT. W/O CLOSURE):	1.68 ±0.06	42.7 ±1.5	1.65 ±0.06	41.9 ±1.5	1.70 ±0.06	43.2 ±1.5	2.54 ±0.09	64.5 ±2.3
D (DIA).....	1.20 ±0.03	30.5 ±0.8	1.43 ±0.03	36.3 ±0.8	1.84 ±0.04	46.7 ±1.0	2.52 ±0.06	64.0 ±1.5
E (CLOSURE O.D.)....	1.66 ±0.04	42.2 ±1.0	1.82 ±0.04	46.2 ±1.0	2.26 ±0.06	57.4 ±1.5	2.95 ±0.08	74.9 ±2.0
W.T.(NOM. WALL THK):	0.050	1.27	0.060	1.52	0.060	1.52	0.060	1.52

SIZE CODE.....	-0008	-0016	-0032			
SIZE (NOM VOL mL/oz)	250/ 8	500/ 16	1000/ 32			
NOM. BRIM CAP. (nL):	310	670	1230			
NECK FINISH (mm)....	70	120	120			
THREAD (T.P.I.).....	4	5	5			
NOM. WEIGHT W/CLOSURE (gms).....	65	130	180			
	INCH	MM	INCH	MM	INCH	MM
A (NECK I.D.).....	2.52 ±0.05	64.0 ±1.3	4.39 ±0.08	111.5 ±2.0	4.39 ±0.08	111.5 ±2.0
B (HT. W/CLOSURE)...	4.66 ±0.12	118.4 ±3.0	3.45 ±0.10	87.6 ±2.5	5.95 ±0.14	151.1 ±3.6
C (HT. W/O CLOSURE):	4.30 ±0.12	109.2 ±3.0	3.00 ±0.10	76.2 ±2.5	5.40 ±0.14	137.2 ±3.6
D (DIA).....	2.52 ±0.06	64.0 ±1.5	4.42 ±0.08	112.3 ±2.0	4.38 ±0.08	111.3 ±2.0
E (CLOSURE O.D.)....	2.95 ±0.08	74.9 ±2.0	4.90 ±0.10	124.5 ±2.5	4.90 ±0.10	124.5 ±2.5
W.T.(NOM. WALL THK):	0.060	1.52	0.080	2.03	0.080	2.03

NOTES:

- ALL DIMENSIONS ARE NOMINAL AND IN INCHES AND MILLIMETERS UNLESS OTHERWISE NOTED.
- THIS IS NOT A PRODUCTION DRAWING, BUT IS FOR INFORMATIONAL PURPOSES ONLY, AND IS SUBJECT TO CHANGE WITHOUT NOTICE.



NOT TO SCALE

SPECS ON BACK

NOT TO SCALE

CONFIDENTIAL

THIS PRODUCT SPECIFICATION SHEET CONTAINS CONFIDENTIAL AND/OR PROPRIETARY INFORMATION AND IS TO BE USED ONLY FOR THE EXPRESSED PURPOSES AGREED UPON BY AN AUTHORIZED OFFICER OF THERMO FISHER SCIENTIFIC.

**ThermoFisher**  
**SCIENTIFIC**

Thermo Fisher Scientific  
75 Panorama Creek Drive  
Rochester, NY 14625-2385, USA

MADE	NS	APP'D	PVC	PSS 00-2118-XXXX-1	REV.	0293
EX'D	PVC		2/10/93			

DESCRIPTION:  
STRAIGHT-SIDE  
LAB QUALITY JARS