

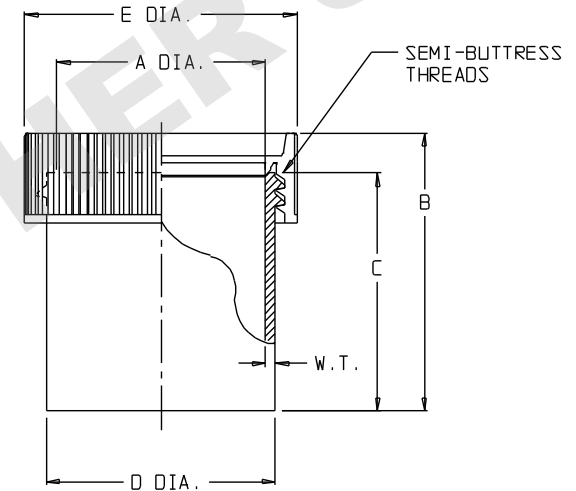
CATALOG NO.	NOMINAL CAPACITY, (oz)								MATERIALS	
									JAR	CLOSURE
002116	1/2	1	2	4	8	16	32	PC	PP	
002117	1/2	1	2	4	8	16	32	PMP	PP	
002119	—	1	2	4	8	16	32	GRAY PC	PP	

SIZE CODE	-0015		-0030		-0060		-0125	
SIZE (NOM VOL mL/oz)	15/ 1/2		30/ 1		60/ 2		125/ 4	
NOM. BRIM CAP. (mL)	16		32		60		180	
NECK FINISH (mm)	38-415		43-415		53-415		70	
THREAD (T.P.I.)	6		6		6		4	
NOM. WEIGHT W/CLOSURE (gms)	14		20		26		50	
	INCH	MM	INCH	MM	INCH	MM	INCH	MM
A (NECK I.D.)	1.15 ±.03	29.2 ±0.8	1.30 ±.03	33.0 ±0.8	1.74 ±.04	44.2 ±1.0	2.52 ±.05	64.0 ±1.3
B (HT. W/CLOSURE)	1.82 ±.06	46.2 ±1.5	1.85 ±.06	47.0 ±1.5	1.88 ±.06	44.8 ±1.5	2.90 ±.09	73.7 ±2.3
C (HT. W/O CLOSURE)	1.68 ±.06	42.7 ±1.5	1.65 ±.06	41.9 ±1.5	1.70 ±.06	43.2 ±1.5	2.54 ±.09	64.5 ±2.3
D (DIA)	1.20 ±.03	30.5 ±0.8	1.43 ±.03	36.3 ±0.8	1.84 ±.04	46.7 ±1.0	2.52 ±.06	64.0 ±1.5
E (CLOSURE O.D.)	1.66 ±.04	42.2 ±1.6	1.82 ±.04	46.2 ±1.0	2.26 ±.06	57.4 ±1.5	2.95 ±.08	74.9 ±2.0
W.T. (NOM. WALL THK)	0.050	1.3	0.060	1.5	0.060	1.5	0.060	1.5

SIZE CODE	-0250		-0500		-1000	
SIZE (NOM VOL mL/oz)	250/ 8		500/ 16		1000/ 32	
NOM. BRIM CAP. (mL)	310		670		1230	
NECK FINISH (mm)	70		120		120	
THREAD (T.P.I.)	4		5		5	
NOM. WEIGHT W/CLOSURE (gms)	65		130		180	
	INCH	MM	INCH	MM	INCH	MM
A (NECK I.D.)	2.52 ±.05	64.0 ±1.3	4.39 ±.08	111.5 ±2.0	4.39 ±.08	111.5 ±2.0
B (HT. W/CLOSURE)	4.66 ±.12	118.4 ±3.0	3.45 ±.10	87.6 ±2.5	5.95 ±.14	151.1 ±3.6
C (HT. W/O CLOSURE)	4.30 ±.12	109.2 ±3.0	3.00 ±.10	76.2 ±2.5	5.40 ±.14	137.2 ±3.6
D (DIA)	2.52 ±.06	64.0 ±1.5	4.42 ±.08	112.3 ±2.0	4.38 ±.08	111.3 ±2.0
E (CLOSURE O.D.)	2.95 ±.08	74.9 ±2.0	4.90 ±.10	124.5 ±2.5	4.90 ±.10	124.5 ±2.5
W.T. (NOM. WALL THK)	0.060	1.5	0.080	2.0	0.080	2.0

NOTES:

- ALL DIMENSIONS ARE NOMINAL AND IN INCHES AND MILLIMETERS UNLESS OTHERWISE NOTED.
- THIS IS NOT A PRODUCTION DRAWING, BUT IS FOR INFORMATIONAL PURPOSES ONLY, AND IS SUBJECT TO CHANGE WITHOUT NOTICE.



SPECS ON BACK

NOT TO SCALE

CONFIDENTIAL

THIS PRODUCT SPECIFICATION SHEET CONTAINS CONFIDENTIAL AND/OR PROPRIETARY INFORMATION AND IS TO BE USED ONLY FOR THE EXPRESSED PURPOSES AGREED UPON BY AN AUTHORIZED OFFICER OF THERMO FISHER SCIENTIFIC.

ThermoFisher
SCIENTIFIC

Thermo Fisher Scientific
75 Panorama Creek Drive
Rochester, NY 14625-2385, USA

MADE	MG	APP'D	PVC	PSS 00-211X-XXXX-3	REV.	1092
CK'D	PVC		10/21/92			

DESCRIPTION:
STRAIGHT-SIDE
LAB QUALITY JARS