

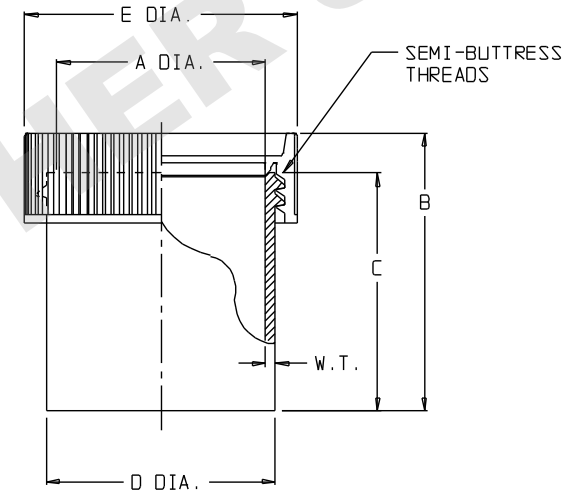
CATALOG NO.	NOMINAL CAPACITY, (oz)								MATERIALS	
									JAR	CLOSURE
002116	1/2	1	2	4	8	16	32	PC	PP	
002117	1/2	1	2	4	8	16	32	PMP	PP	
002119	—	1	2	4	8	16	32	GRAY PC	PP	

SIZE CODE	-0015		-0030		-0060		-0125	
SIZE (NOM VOL mL/oz)	15/ 1/2		30/ 1		60/ 2		125/ 4	
NOM. BRIM CAP. (mL)	16		32		60		180	
NECK FINISH (mm)	38-415		43-415		53-415		70	
THREAD (T.P.I.)	6		6		6		4	
NOM. WEIGHT W/CLOSURE (gms)	14		20		26		50	
	INCH	MM	INCH	MM	INCH	MM	INCH	MM
A (NECK I.D.)	1.15 ±0.3	29.2 ±0.8	1.30 ±0.3	33.0 ±0.8	1.74 ±0.4	44.2 ±1.0	2.52 ±0.5	64.0 ±1.3
B (HT. W/CLOSURE)	1.82 ±0.6	46.2 ±1.5	1.85 ±0.6	47.0 ±1.5	1.88 ±0.6	44.8 ±1.5	2.90 ±0.9	73.7 ±2.3
C (HT. W/O CLOSURE)	1.68 ±0.6	42.7 ±1.5	1.65 ±0.6	41.9 ±1.5	1.70 ±0.6	43.2 ±1.5	2.54 ±0.9	64.5 ±2.3
D (DIA.)	1.20 ±0.3	30.5 ±0.8	1.43 ±0.3	36.3 ±0.8	1.84 ±0.4	46.7 ±1.0	2.52 ±0.6	64.0 ±1.5
E (CLOSURE O.D.)	1.66 ±0.4	42.2 ±1.6	1.82 ±0.4	46.2 ±1.0	2.26 ±0.6	57.4 ±1.5	2.95 ±0.8	74.9 ±2.0
W.T. (NOM. WALL THK)	0.050	1.3	0.060	1.5	0.060	1.5	0.060	1.5

SIZE CODE	-0250		-0500		-1000	
SIZE (NOM VOL mL/oz)	250/ 8		500/ 16		1000/ 32	
NOM. BRIM CAP. (mL)	310		670		1230	
NECK FINISH (mm)	70		120		120	
THREAD (T.P.I.)	4		5		5	
NOM. WEIGHT W/CLOSURE (gms)	65		130		180	
	INCH	MM	INCH	MM	INCH	MM
A (NECK I.D.)	2.52 ±0.5	64.0 ±1.3	4.39 ±0.8	111.5 ±2.0	4.39 ±0.8	111.5 ±2.0
B (HT. W/CLOSURE)	4.66 ±1.2	118.4 ±3.0	3.45 ±1.0	87.6 ±2.5	5.95 ±1.4	151.1 ±3.6
C (HT. W/O CLOSURE)	4.30 ±1.2	109.2 ±3.0	3.00 ±1.0	76.2 ±2.5	5.40 ±1.4	137.2 ±3.6
D (DIA.)	2.52 ±0.6	64.0 ±1.5	4.42 ±0.8	112.3 ±2.0	4.38 ±0.8	111.3 ±2.0
E (CLOSURE O.D.)	2.95 ±0.8	74.9 ±2.0	4.90 ±1.0	124.5 ±2.5	4.90 ±1.0	124.5 ±2.5
W.T. (NOM. WALL THK)	0.060	1.5	0.080	2.0	0.080	2.0

NOTES:

- ALL DIMENSIONS ARE NOMINAL AND IN INCHES AND MILLIMETERS UNLESS OTHERWISE NOTED.
- THIS IS NOT A PRODUCTION DRAWING, BUT IS FOR INFORMATIONAL PURPOSES ONLY, AND IS SUBJECT TO CHANGE WITHOUT NOTICE.



SPECS ON BACK

NOT TO SCALE

CONFIDENTIAL

THIS PRODUCT SPECIFICATION SHEET CONTAINS CONFIDENTIAL AND/OR PROPRIETARY INFORMATION AND IS TO BE USED ONLY FOR THE EXPRESSED PURPOSES AGREED UPON BY AN AUTHORIZED OFFICER OF THERMO FISHER SCIENTIFIC.

**ThermoFisher**  
SCIENTIFIC

Thermo Fisher Scientific  
75 Panorama Creek Drive  
Rochester, NY 14625-2385, USA

MADE	MG	APP'D	PVC	PSS 00-211X-XXXX-3	REV.	1092
CK'D	PVC		10/21/92			

DESCRIPTION:

STRAIGHT-SIDE  
LAB QUALITY JARS