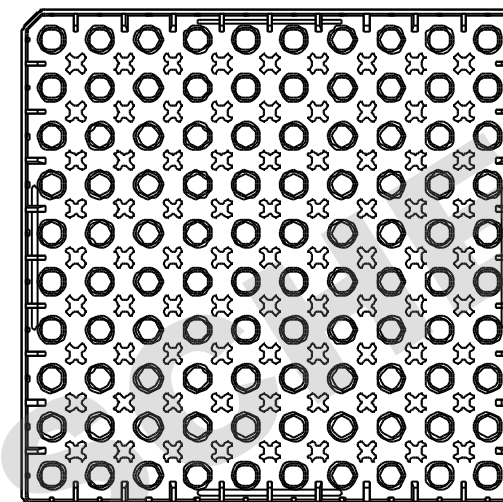


CATALOG NO.....:	5026-1010	
FOR VIAL SIZE*(ml)::	1.0 AND 1.5	
CONFIGURATION.....:	10 x 10	
MATERIAL	COVER.....:	CLEAR PC
	BASE.....:	LT. BLUE PC
NOM. WEIGHT (gms)::	170	
	INCH	MM
A (LENGTH).....:	5.24±.030	133.1±.8
B (DEPTH).....:	5.24±.030	133.1±.8
C (OVERALL HEIGHT)::	2.07±.030	52.6±.8

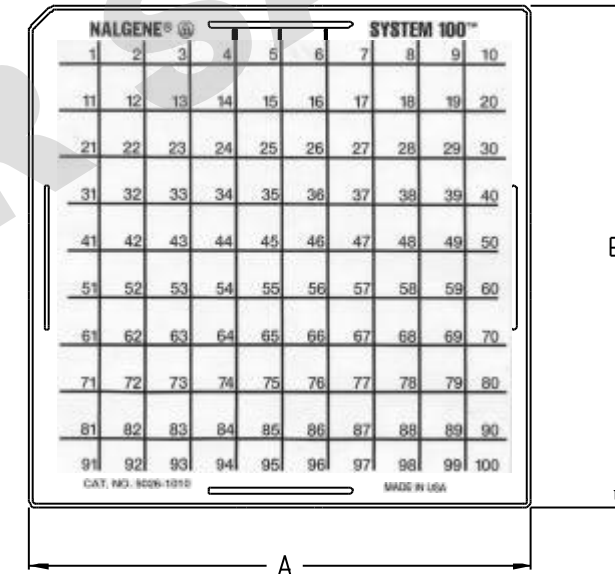
* DESIGNED FOR STORAGE OF ONE HUNDRED NALGENE SYSTEM 100™ CRYOGENIC VIALS (CAT. NO.s 5000-1012/-1020)

NOTES:

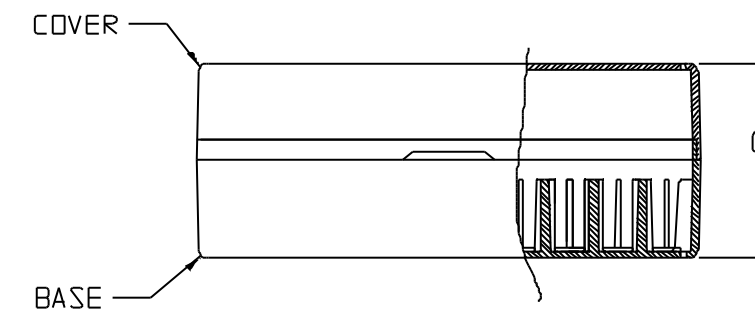
1. ALL DIMENSIONS ARE NOMINAL AND IN INCHES AND MILLIMETERS UNLESS OTHERWISE NOTED.
2. THIS IS NOT A PRODUCTION DRAWING, BUT IS FOR INFORMATIONAL PURPOSES ONLY, AND IS SUBJECT TO CHANGE WITHOUT NOTICE.



TOP VIEW
(COVER REMOVED)



TOP VIEW



FRONT VIEW
(WITH PARTIAL INTERIOR VIEW)

SPECS ON BACK

NOT TO SCALE

CONFIDENTIAL

THIS PRODUCT SPECIFICATION SHEET CONTAINS CONFIDENTIAL AND/OR PROPRIETARY INFORMATION AND IS TO BE USED ONLY FOR THE EXPRESSED PURPOSES AGREED UPON BY AN AUTHORIZED OFFICER OF THERMO FISHER SCIENTIFIC.

ThermoFisher
SCIENTIFIC

Thermo Fisher Scientific
75 Ponorama Creek Drive
Rochester, NY 14625-2385, USA

MADE	PB	APP'D	PVC	PSS 00-5026-1010	REV.
CR'D	PVC		9/28/06		0906

DESCRIPTION:
SYSTEM 100™ CRYOBOX FOR 100 VIALS