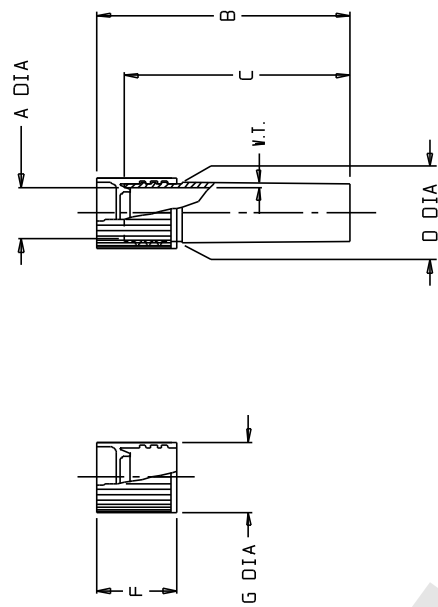


CATALOG NO.	NOMINAL CAPACITY (mL)		MATERIALS	
	VIAL	CLOSURE	VIAL	CLOSURE
005000	1.2	2.0	5.0	HOPE

SIZE CODE	-0012		-0020		-0050	
SIZE (NOM VOL mL)	1.2	2.0	2.0	5.0	5.0	5.0
NOM. BRIM CAP. (mL)	2.0	2.8	2.8	5.6	5.6	5.6
THREAD (T.P.I.)	12	12	12	12	12	12
NOM. WEIGHT W/CLOSURE (gms)	1.5	1.8	1.8	3.1	3.1	3.1
CLOSURE NOM WEIGHT (gms)	0.6	0.6	0.6	0.6	0.6	0.6
	in.	mm	in.	mm	in.	mm
A (VIAL NECK I.D.)	0.39 ± 0.1	9.9 ± 0.3	0.39 ± 0.1	9.9 ± 0.3	0.39 ± 0.1	9.9 ± 0.3
B (HT. W/CLOSURE)	1.51 ± 0.02	38.4 ± 0.5	1.91 ± 0.02	48.5 ± 0.5	3.52 ± 0.02	89.4 ± 0.5
C (HT. W/O CLOSURE)	1.31 ± 0.02	33.3 ± 0.5	1.71 ± 0.02	43.4 ± 0.5	3.32 ± 0.02	84.3 ± 0.5
D (VIAL O.D.)	0.46 ± 0.1	11.7 ± 0.3	0.46 ± 0.1	11.7 ± 0.3	0.46 ± 0.1	11.7 ± 0.3
F (CLOSURE HT)	0.60 ± 0.1	15.2 ± 0.3	0.60 ± 0.1	15.2 ± 0.3	0.60 ± 0.1	15.2 ± 0.3
G (CLOSURE O.D.)	0.53 ± 0.1	13.5 ± 0.3	0.53 ± 0.1	13.5 ± 0.3	0.53 ± 0.1	13.5 ± 0.3
W.T. (NOM. WALL THK)	0.040	1.02	0.040	1.02	0.040	1.02

- NOTES:
1. ALL DIMENSIONS ARE NOMINAL AND IN INCHES AND MILLIMETERS UNLESS OTHERWISE NOTED.
 2. THIS IS NOT A PRODUCTION DRAWING, BUT IS FOR INFORMATIONAL PURPOSES ONLY, AND IS SUBJECT TO CHANGE WITHOUT NOTICE.



NOT TO SCALE

SPECS ON BACK

NOT TO SCALE

CONFIDENTIAL
THIS PRODUCT SPECIFICATION SHEET CONTAINS CONFIDENTIAL AND/OR PROPRIETARY INFORMATION AND IS TO BE USED ONLY FOR THE EXPRESSED PURPOSES AGREED UPON BY AN AUTHORIZED OFFICER OF THERMO FISHER SCIENTIFIC.

ThermoFisher
SCIENTIFIC

Thermo Fisher Scientific
75 Pancromo Creek Drive
Rochester, NY 14625-2385, USA

NAME	MCC	REV	PVC
DATE	7/30/91		

REV 0791

PSS 00-5000-XXXX-1

CRYOVIALS