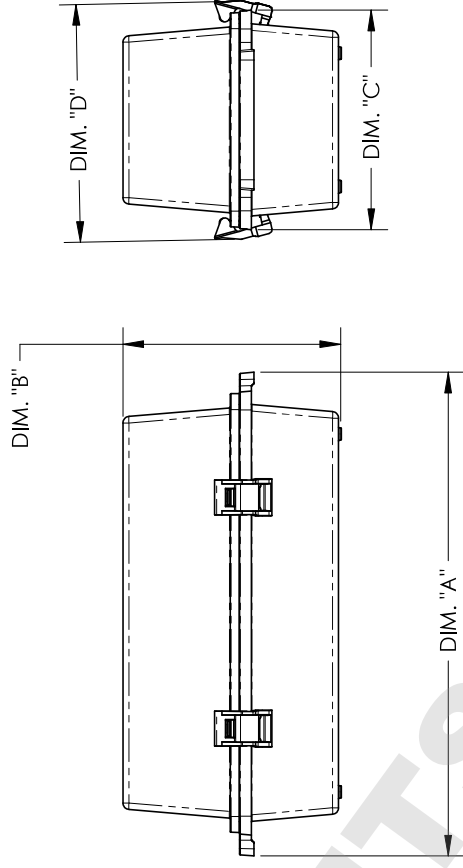


PART	MATERIAL
BASE	CLEAR PC
COVER	CLEAR PC
LATCH ASSEMBLY	NATURAL PC
GASKET	RED SILICONE

	INCH	MM
"A" DIM.....	14.6	370
"B" DIM.....	6.8	173
"C" DIM.....	6.6	168
"D" DIM.....	7.3	185



SPECS ON BACK

NOT TO SCALE

CONFIDENTIAL

THIS PRODUCT SPECIFICATION SHEET CONTAINS CONFIDENTIAL AND/OR PROPRIETARY INFORMATION AND IS TO BE USED ONLY FOR THE EXPRESSED PURPOSES AGREED UPON BY AN AUTHORIZED OFFICER OF THERMO FISHER SCIENTIFIC.

ThermoFisher
S C I E N T I F I C

Thermo Fisher Scientific
75 Pancrama Creek Drive
Rochester, NY 14625-2385, USA

NAME	JDD	REV	PVC
DATE	PVC	DATE	7/31/06

PSS 007135-0001

REV. 0806

BIO SAFE CARRIER

1. ALL DIMENSIONS ARE NOMINAL AND IN INCHES AND MILLIMETERS UNLESS OTHERWISE NOTED.
2. THIS IS NOT A PRODUCTION DRAWING, BUT IS FOR INFORMATIONAL PURPOSES ONLY, AND IS SUBJECT TO CHANGE WITHOUT NOTICE.