

CATALOG NO.	NOMINAL CAPACITY, (oz)						MATERIALS		
	1	2	4	8	16	32	64	BOTTLE	CLOSURE
002015								PC	PP*

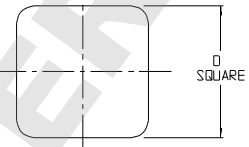
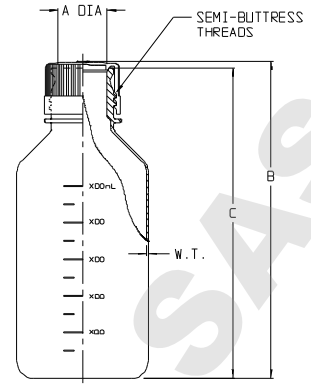
\* 53B CLOSURE - 1000 SIZE IS WHITE PP.

SIZE CODE	-0030		-0060		-0125		-0250	
SIZE (NOM VOL. mL/oz)	30/1		60/2		125/4		250/8	
NOM. BRIM CAP. (mL)	45		76		169		318	
NECK FINISH (mm)	20-415		24-415		38-430		38-430	
THREAD (T.P.I.)	8		8		6		6	
NOM. WEIGHT W/CLOSURE (gms)	14.5		20		49		60	
	INCH	MM	INCH	MM	INCH	MM	INCH	MM
A (NECK I.D.)	0.54 ±0.02	13.7 ±0.5	0.70 ±0.02	17.8 ±0.5	1.100 ±0.025	27.94 ±0.64	1.100 ±0.025	27.94 ±0.64
B (HT. W/CLOSURE)	2.50 ±0.05	63.5 ±1.3	3.25 ±0.06	82.6 ±1.5	4.29 ±0.08	109.2 ±2.0	5.72 ±0.08	145.3 ±2.0
C (HT. W/O CLOSURE)	2.39 ±0.05	60.7 ±1.3	3.15 ±0.06	80.0 ±1.5	4.12 ±0.08	104.6 ±2.0	5.55 ±0.08	141.0 ±2.0
D (SQUARE)	1.50 ±0.05	38.1 ±1.3	1.58 ±0.06	40.1 ±1.5	2.05 ±0.06	52.1 ±1.5	2.30 ±0.06	58.4 ±1.5
W.T. (NOM. WALL THK.)	0.04	1.0	0.04	1.0	0.06	1.5	0.06	1.5

SIZE CODE	-0500		-1000		-2000	
SIZE (NOM VOL. mL/oz)	500/16		1000/32		2000/64	
NOM. BRIM CAP. (mL)	595		1210		2380	
NECK FINISH (mm)	38-430		38-430		53B*	
THREAD (T.P.I.)	6		6		4	
NOM. WEIGHT W/CLOSURE (gms)	108		170		325	
	INCH	MM	INCH	MM	INCH	MM
A (NECK I.D.)	1.100 ±0.025	27.94 ±0.64	1.100 ±0.025	27.94 ±0.64	1.53 ±0.03	38.9 ±0.8
B (HT. W/CLOSURE)	6.98 ±0.09	177.3 ±2.3	8.63 ±0.10	219.2 ±2.5	10.65 ±0.14	270.5 ±3.6
C (HT. W/O CLOSURE)	6.80 ±0.09	172.7 ±2.3	8.43 ±0.10	214.1 ±2.5	10.42 ±0.14	264.7 ±3.6
D (SQUARE)	2.90 ±0.08	73.7 ±2.0	3.65 ±0.07	92.7 ±1.8	4.57 ±0.10	116.1 ±2.5
W.T. (NOM. WALL THK.)	0.06	1.5	0.05	1.3	0.09	2.3

NOTES:

1. ALL DIMENSIONS ARE NOMINAL AND IN INCHES AND MILLIMETERS UNLESS OTHERWISE NOTED.
2. THIS IS NOT A PRODUCTION DRAWING, BUT IS FOR INFORMATIONAL PURPOSES ONLY, AND IS SUBJECT TO CHANGE WITHOUT NOTICE.



SPECS ON BACK

NOT TO SCALE

CONFIDENTIAL

THIS PRODUCT SPECIFICATION SHEET CONTAINS CONFIDENTIAL AND/OR PROPRIETARY INFORMATION AND IS TO BE USED ONLY FOR THE EXPRESSED PURPOSES AGREED UPON BY AN AUTHORIZED OFFICER OF THERMO FISHER SCIENTIFIC.

**ThermoFisher**  
**SCIENTIFIC**

Thermo Fisher Scientific  
75 Panarone Creek Drive  
Rochester, NY 14625-2385, USA

MADE IN	TL	REV	1009
DATE	10/22/09	DESCRIPTION	SQUARE, NARROW-MOUTH GRADUATED LAB QUALITY BOTTLES
APP'D	GP	PART NO.	PSS 00-2015-XXXX-1
CHK	10/23/09		