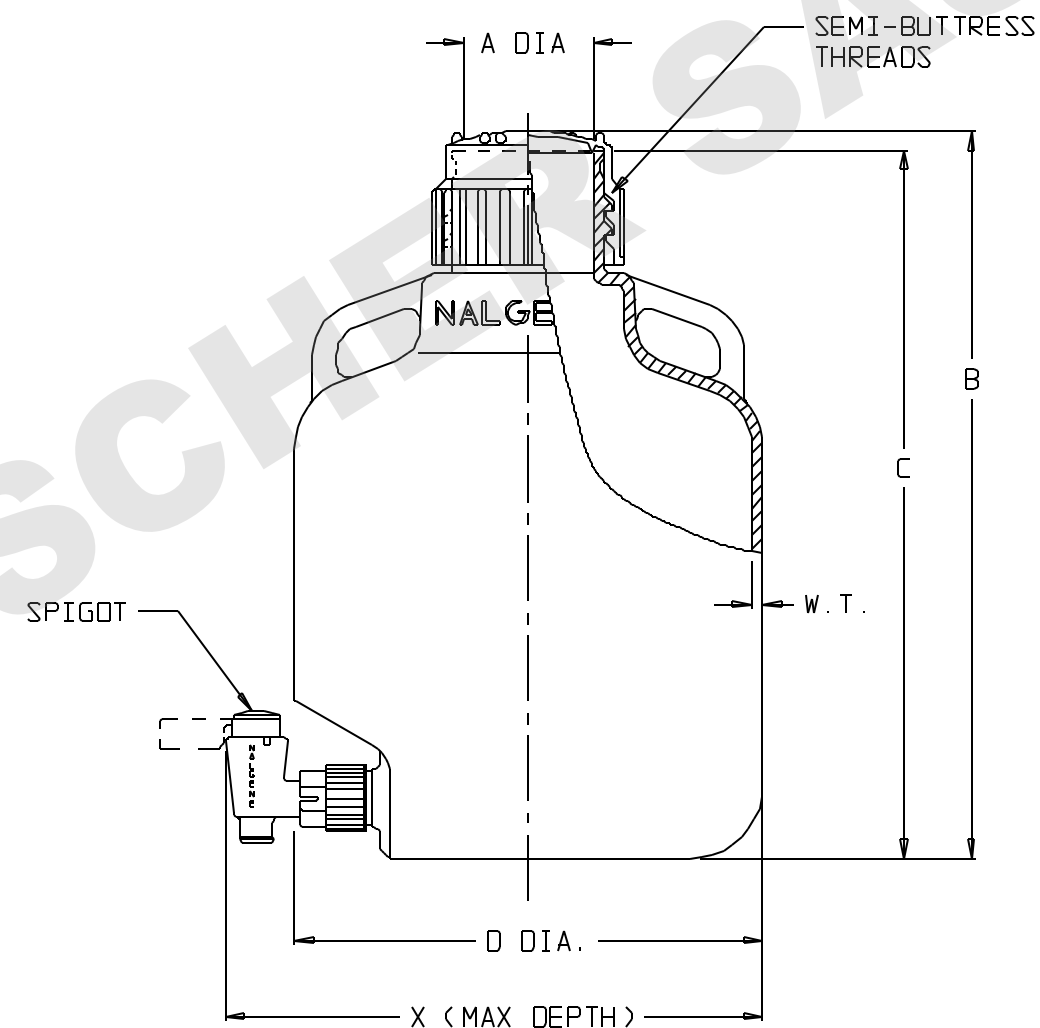


CATALOG NO.	NOMINAL CAPACITY (GAL)					MATERIALS		
						CARBOY	CLOSURE	SPIGOT (WITH TEFLON O-RING)
002318	1	2.5	5	6.5	13	LOPE	WHITE PP	PP
002319	—	2.5	5	—	13	PP	WHITE PP	PP

SIZE CODE.....:	-0010	-0020	-0050	-0065	-0130
SIZE (NOM VOL L/GAL):	4/1	10/2.5	20/5	25/6.5	50/13
NOM. BRIM CAP. (L):	4.2	12	22.5	27.5	54
NECK FINISH (mm):	38-430	83B	83B	83B	83B
THREAD (T.P.I.):	6	2	2	2	2
NOM. WEIGHT W/ CLOSURE(gms):	450	1050	1700	1750	3300
A (NECK I.D.):	1.03 ±.03	2.52 ±.10	2.52 ±.10	2.52 ±.10	2.52 ±.10
B (HT. W/ CLOSURE):	13.2 ±.2	15.3 ±.2	20.7 ±.3	23.4 ±.4	26.7 ±.5
C (HT. W/O CLOSURE):	13.0 ±.2	14.8 ±.2	20.2 ±.3	23.0 ±.4	26.3 ±.5
D (DIA):	6.06 ±.10	9.85 ±.12	11.10 ±.20	11.28 ±.14	14.92 ±.18
X (MAX DEPTH):	7.6	11.4	12.8	12.9	16.5
W.T.(NOM WALL THK):	0.10	0.12	0.16	0.16	0.18

NOTES:

1. ALL DIMENSIONS ARE NOMINAL AND IN INCHES AND MILLIMETERS UNLESS OTHERWISE NOTED.
2. THIS IS NOT A PRODUCTION DRAWING, BUT IS FOR INFORMATIONAL PURPOSES ONLY, AND IS SUBJECT TO CHANGE WITHOUT NOTICE.



NOT TO SCALE

SPECS ON BACK

NOT TO SCALE

CONFIDENTIAL

THIS PRODUCT SPECIFICATION SHEET CONTAINS CONFIDENTIAL AND/OR PROPRIETARY INFORMATION AND IS TO BE USED ONLY FOR THE EXPRESSED PURPOSES AGREED UPON BY AN AUTHORIZED OFFICER OF THERMO FISHER SCIENTIFIC.

**ThermoFisher**  
SCIENTIFIC

Thermo Fisher Scientific  
75 Panorama Creek Drive  
Rochester, NY 14625-2385, USA

MADE PB	APP'D GRP	PSS 00-231X-XXXX-1	REV. 0606
------------	--------------	--------------------	--------------

DESCRIPTION:  
ROUND CARBOY WITH HANDLES  
AND SPIGOT