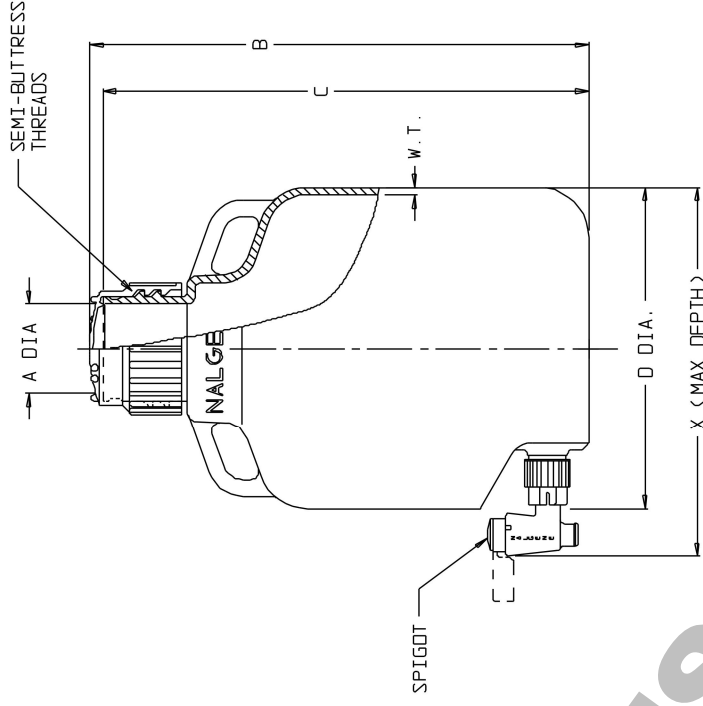


CATALOG NO.	NOMINAL CAPACITY (GAL)			MATERIALS				
	1	2.5	5	6.5	13	CARBOY	CLOSURE	SPIGOT (WITH TEFLON O-RING)
002318	1	2.5	5	6.5	13	LOPE	WHITE PP	PP
002319	—	2.5	5	—	13	PP	WHITE PP	PP

SIZE CODE	-0010	-0020	-0050	-0065	-0130
SIZE (NOM VOL L/GAL)	4/1	10/2.5	20/5	25/6.5	50/13
NOM. BRIM CAP. (L)	4.2	12	22.5	27.5	54
NECK FINISH (mm)	38-430	838	838	838	838
THREAD (T.P.I.)	6	2	2	2	2
NOM. WEIGHT W/ CLOSURE (gms)	450	1050	1700	1750	3300
A (NECK I.D.)	1.03 ± .03	2.52 ± .10	2.52 ± .10	2.52 ± .10	2.52 ± .10
B (HT. W/ CLOSURE)	13.2 ± .2	15.3 ± .2	20.7 ± .3	23.4 ± .4	26.7 ± .5
C (HT. W/O CLOSURE)	13.0 ± .2	14.8 ± .2	20.2 ± .3	23.0 ± .4	26.3 ± .5
D (DIA)	6.06 ± .10	9.85 ± .12	11.10 ± .20	11.28 ± .14	14.92 ± .18
X (MAX DEPTH)	7.6	11.4	12.8	12.9	16.5
W.T. (NOM WALL THK)	0.10	0.12	0.16	0.16	0.18

NOTES:

1. ALL DIMENSIONS ARE NOMINAL AND IN INCHES AND MILLIMETERS UNLESS OTHERWISE NOTED.
2. THIS IS NOT A PRODUCTION DRAWING, BUT IS FOR INFORMATIONAL PURPOSES ONLY, AND IS SUBJECT TO CHANGE WITHOUT NOTICE.



NOT TO SCALE

SPECS ON BACK

NOT TO SCALE

ThermoFisher
SCIENTIFIC

Thermo Fisher Scientific
75 Ploverna Creek Drive
Rochester, NY 14625-2385, USA

MAKE	PB	APP'D	GRP	PSS	REV
CF'D	KR			00-231X-XXXX-1	0606

DESCRIPTION:
ROUND CARBOY WITH HANDLES
AND SPIGOT

CONFIDENTIAL

THIS PRODUCT SPECIFICATION SHEET CONTAINS CONFIDENTIAL AND/OR PROPRIETARY INFORMATION AND IS TO BE USED ONLY FOR THE EXPRESSED PURPOSES AGREED UPON BY AN AUTHORIZED OFFICER OF THERMO FISHER SCIENTIFIC.