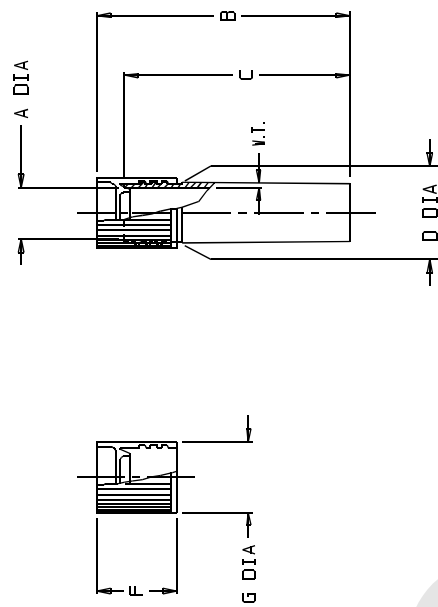


| CATALOG NO. | NOMINAL CAPACITY (mL) | | MATERIALS | |
|-------------|-----------------------|---------|-----------|---------|
| | VIAL | CLOSURE | VIAL | CLOSURE |
| 005000 | 1.2 | 2.0 | 5.0 | HOPE |

| SIZE CODE | -0012 | | -0020 | | -0050 | |
|-----------------------------|-------------|------------|-------------|------------|-------------|------------|
| SIZE (NOM VOL mL) | 1.2 | 2.0 | 2.0 | 2.8 | 5.0 | 5.6 |
| NOM. BRIM CAP. (mL) | 2.0 | 2.8 | 12 | 12 | 12 | 12 |
| THREAD (T.P.I.) | 12 | 12 | 1.5 | 1.8 | 3.1 | 3.1 |
| NOM. WEIGHT W/CLOSURE (gms) | 1.5 | 1.8 | 0.6 | 0.6 | 0.6 | 0.6 |
| CLOSURE NOM WEIGHT (gms) | 0.6 | 0.6 | 0.6 | 0.6 | 0.6 | 0.6 |
| A (VIAL NECK I.D.) | in. | mm | in. | mm | in. | mm |
| B (HT. W/CLOSURE) | 0.39 ± 0.1 | 9.9 ± 0.3 | 0.39 ± 0.1 | 9.9 ± 0.3 | 0.39 ± 0.1 | 9.9 ± 0.3 |
| C (HT. W/O CLOSURE) | 1.51 ± 0.02 | 38.4 ± 0.5 | 1.91 ± 0.02 | 48.5 ± 0.5 | 3.52 ± 0.02 | 89.4 ± 0.5 |
| D (VIAL O.D.) | 1.31 ± 0.02 | 33.3 ± 0.5 | 1.71 ± 0.02 | 43.4 ± 0.5 | 3.32 ± 0.02 | 84.3 ± 0.5 |
| E (CLOSURE HT) | 0.45 ± 0.1 | 11.7 ± 0.3 | 0.45 ± 0.1 | 11.7 ± 0.3 | 0.45 ± 0.1 | 11.7 ± 0.3 |
| F (CLOSURE D.D.) | 0.60 ± 0.1 | 15.2 ± 0.3 | 0.60 ± 0.1 | 15.2 ± 0.3 | 0.60 ± 0.1 | 15.2 ± 0.3 |
| G (CLOSURE W.T.) | 0.53 ± 0.1 | 13.5 ± 0.3 | 0.53 ± 0.1 | 13.5 ± 0.3 | 0.53 ± 0.1 | 13.5 ± 0.3 |
| W.T. (NOM. WALL THK) | 0.040 | 1.02 | 0.040 | 1.02 | 0.040 | 1.02 |

- NOTES:
1. ALL DIMENSIONS ARE NOMINAL AND IN INCHES AND MILLIMETERS UNLESS OTHERWISE NOTED.
 2. THIS IS NOT A PRODUCTION DRAWING, BUT IS FOR INFORMATIONAL PURPOSES ONLY, AND IS SUBJECT TO CHANGE WITHOUT NOTICE.



NOT TO SCALE

SPECS ON BACK

NOT TO SCALE

CONFIDENTIAL
 THIS PRODUCT SPECIFICATION SHEET CONTAINS CONFIDENTIAL AND/OR PROPRIETARY INFORMATION AND IS TO BE USED ONLY FOR THE EXPRESSED PURPOSES AGREED UPON BY AN AUTHORIZED OFFICER OF THERMO FISHER SCIENTIFIC.

ThermoFisher SCIENTIFIC
 Thermo Fisher Scientific
 75 Pennington Creek Drive
 Rochester, NY 14625-2385, USA

| | | | | | |
|------|-----|-----------|--------------------|-----|------|
| DATE | MCC | APP'D PVC | PSS 00-5000-XXXX-1 | REV | 0791 |
| CR'D | PVC | 7/30/91 | | | |

DESCRIPTION: CRYOVIALS