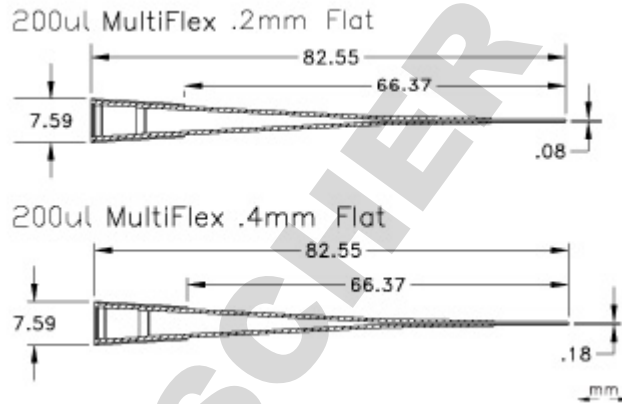




200 µl (1 - 200 µl) MultiFlex Flat - Catalog #27600



Catalog #	Description
27600	Natural, Polypropylene

Packaging Type	Packaging Details
Gel Loading Tips	Non-Sterile, Racked, 200 Tips/Pack, 2 Packs/Case, Flex Rack

Attributes



Certified RNase/DNase Free  
 Certified Human DNA Free  
 Certified PCR Inhibitor Free  
 Certified Pyrogen Free

**Material:** Polypropylene  
**Volume Range:** 1-200 µl  
**Grad Lines:** 5 µl  
**Orifice Outside Diameter:** 0.17 mm