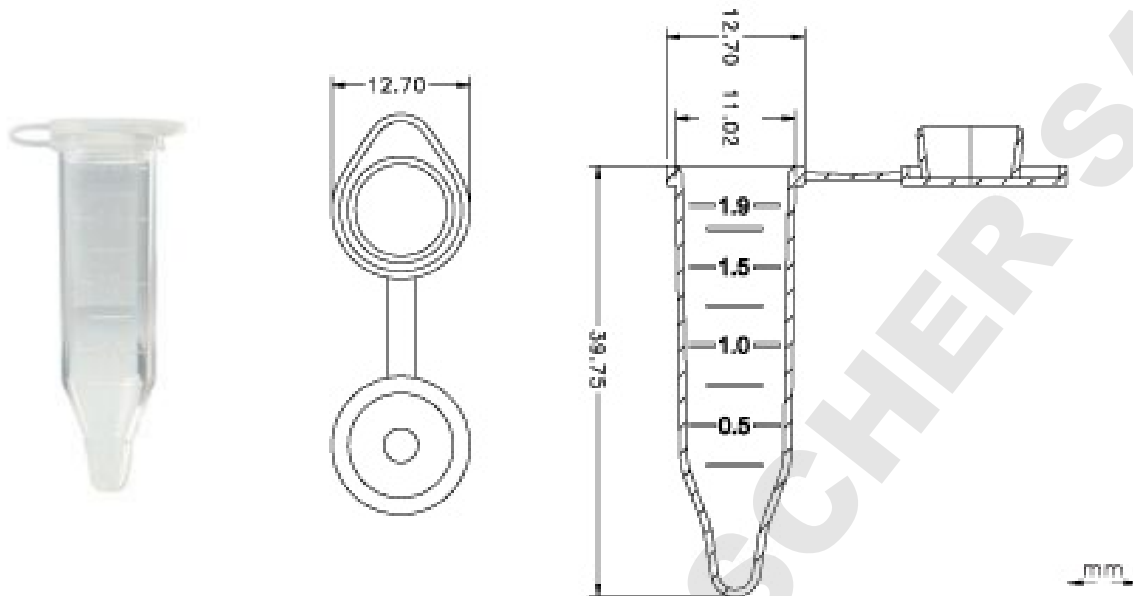


2.0 ml Dolphin MCT - Catalog #27270



Catalog

27270

Description

Natural, Polypropylene

Packaging Details

Non-Sterile, Bulk Bag, 500 Tubes/Bag, 2 Bags/Case

Attributes



Grad Lines: Yes

Certified RNase/DNase Free
Certified Human DNA Free
Certified PCR Inhibitor Free
Certified Pyrogen Free