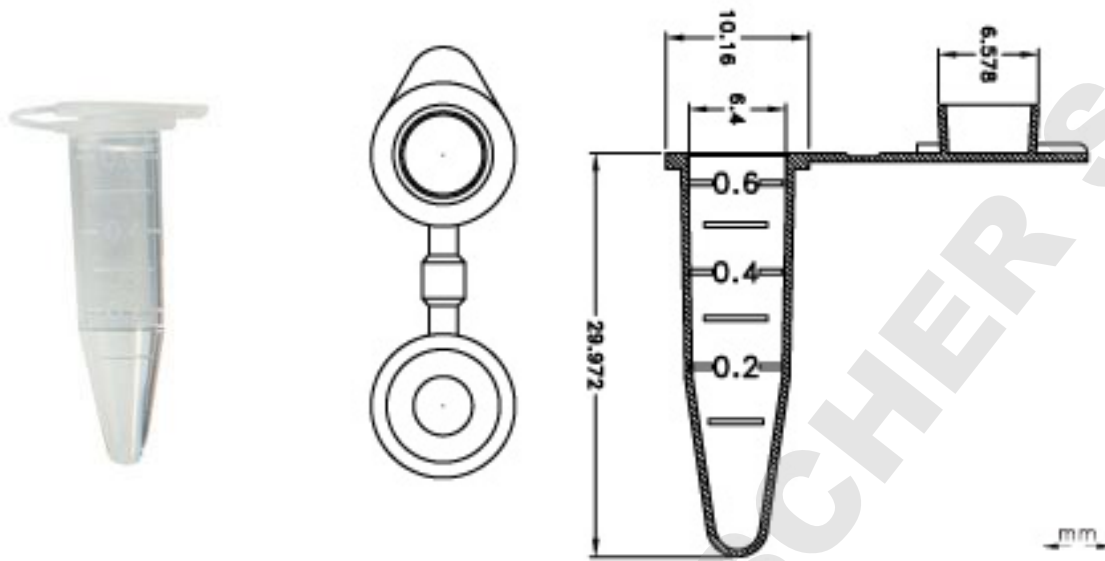


## 0.65 ml Low Binding MCT - Catalog # 27200



### Catalog #

27200

### Description

Natural, Polypropylene, Low Binding

### Packaging Details

Non-Sterile, 500 Tubes/Bag, 1 Bag/Case

### Attributes



Grad Lines: Yes

Certified RNase/DNase Free  
Certified Human DNA Free  
Certified PCR Inhibitor Free  
Certified Pyrogen Free