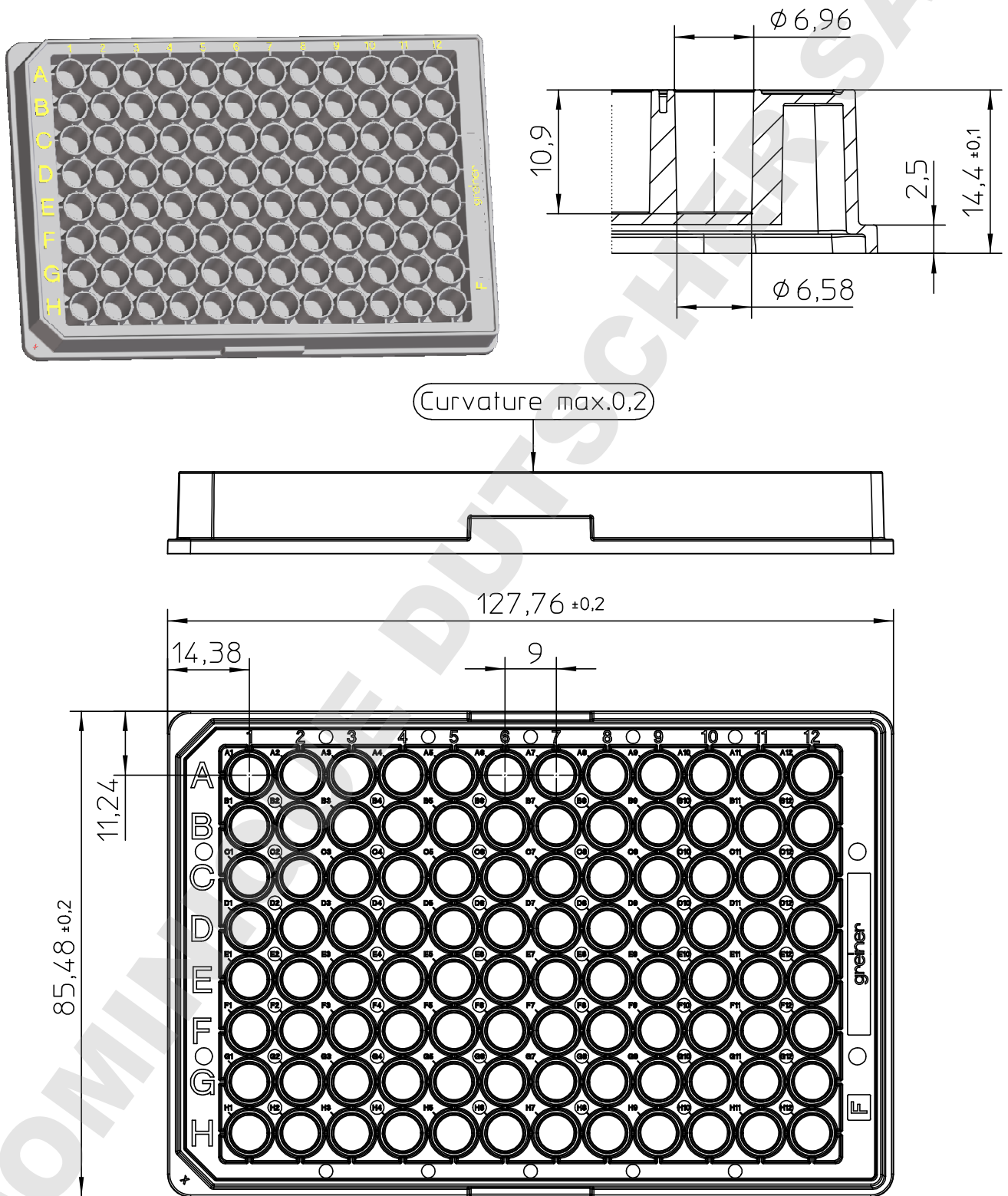


Valid for Item-No.: 655160, 655162, 655180, 655182, 655185

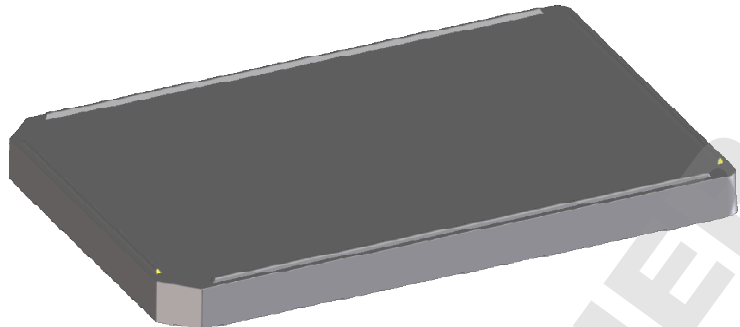


"All dimensions in mm"

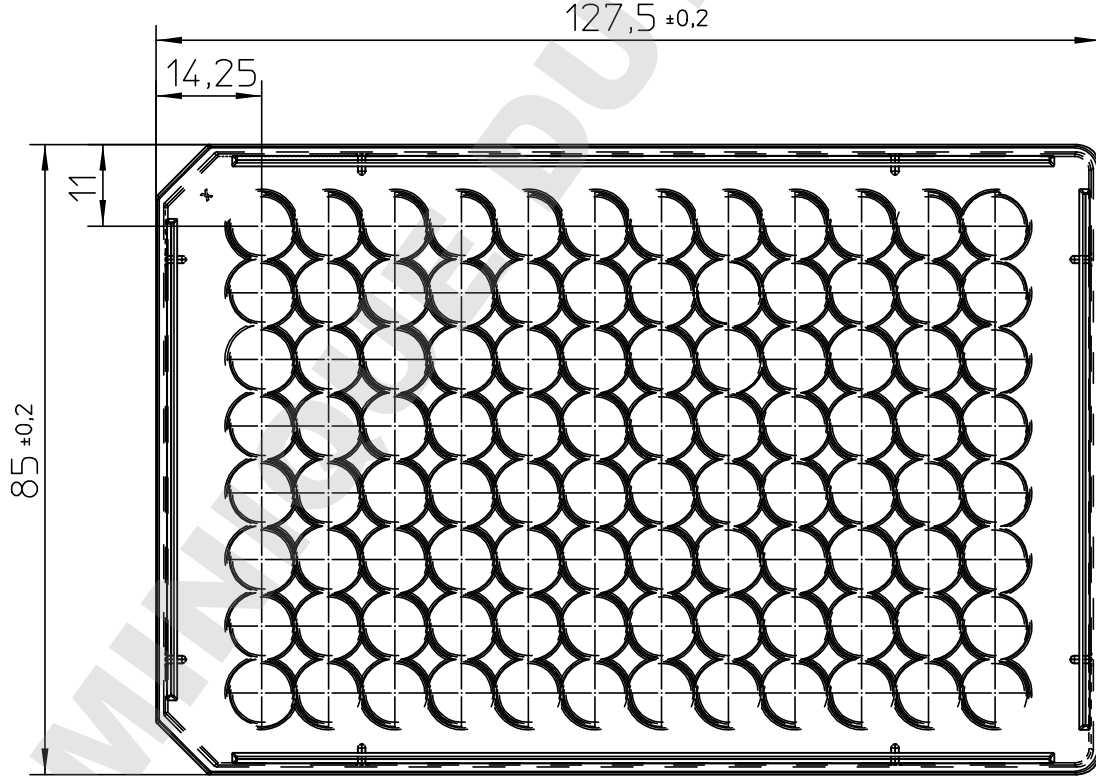
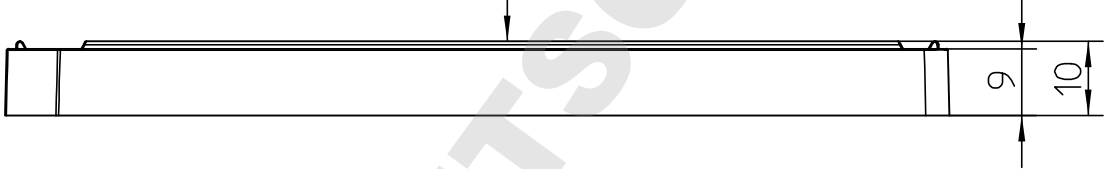
Customer drawing subject to change without notice!

Uncontrolled Copy

Prior Issue	Drawn	Approved	Released	CONFIDENTIAL: Information contained in this document or drawing is confidential and proprietary to Greiner Bio-One GmbH. This document may not be reproduced for any reason without written permission from Greiner Bio-One GmbH. All rights of design, invention, and copyright are reserved.
Revision	Date	Date	Date	
5	2011/05/06	2015/02/12	2015/02/12	
Date	Name	Name	Name	
2014/10/29	forb	schwarzj	sonntag	



Curvature $+0,3$
 $-0,3$



Only Part No. 655180, 655182, 655185 with lid

"All dimensions in mm"

Customer drawing subject to change without notice!

Uncontrolled Copy

Prior Issue	Drawn	Approved	Released	CONFIDENTIAL: Information contained in this document or drawing is confidential and proprietary to Greiner Bio-One GmbH. This document may not be reproduced for any reason without written permission from Greiner Bio-One GmbH. All rights of design, invention, and copyright are reserved.
Revision 5	Date 2011/05/06	Date 2015/02/12	Date 2015/02/12	
Date 2014/10/29	Name forb	Name schwarzj	Name sonntag	