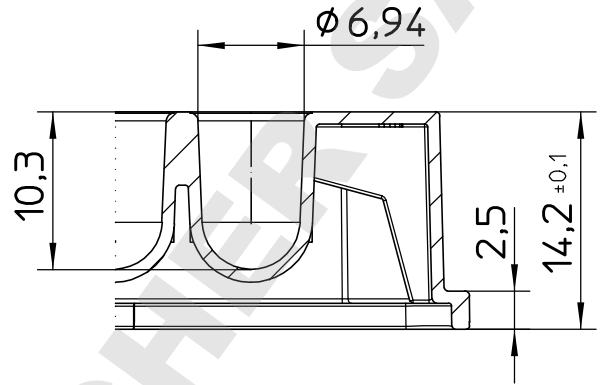
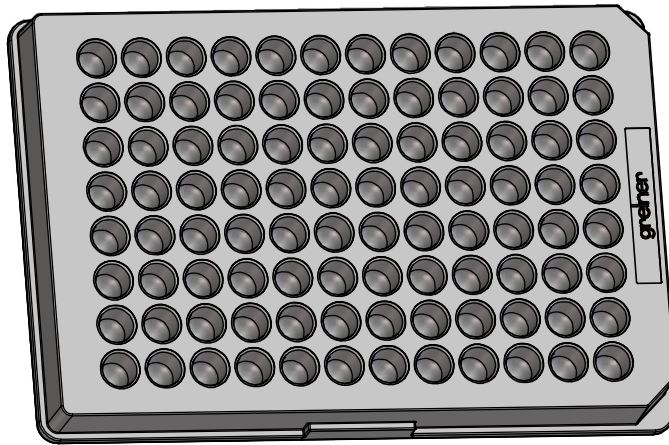
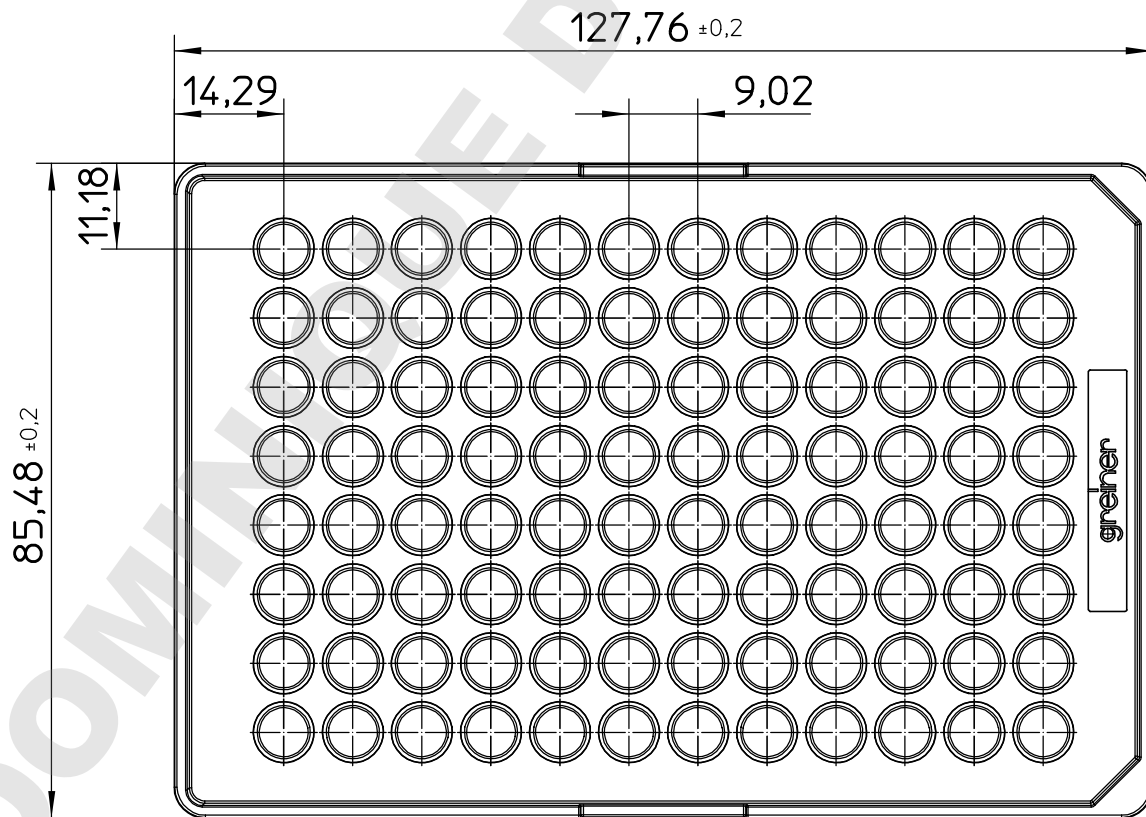


Valid for Item-No.: 650101, 650160, 650161, 650180, 650185



Curvature max.0,2



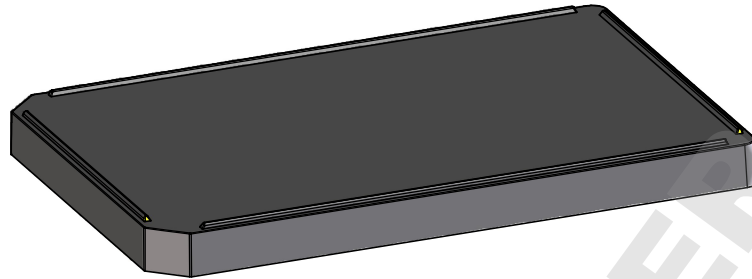
"All dimensions in mm"

Customer drawing subject to change without notice!

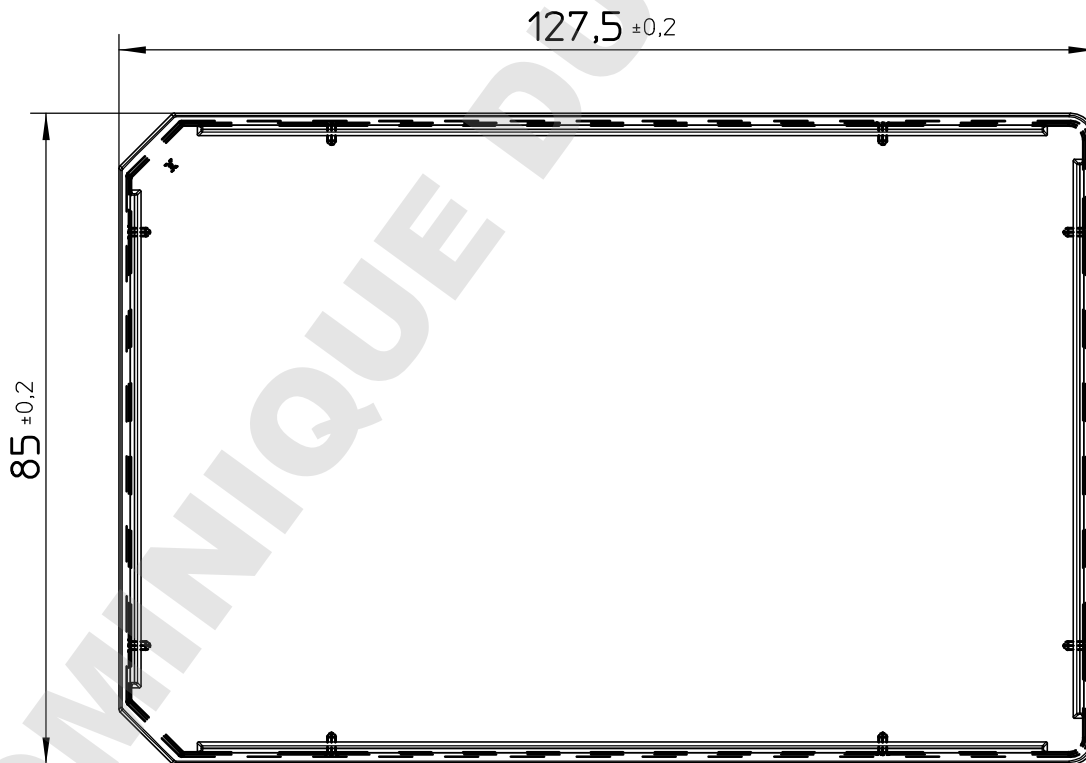
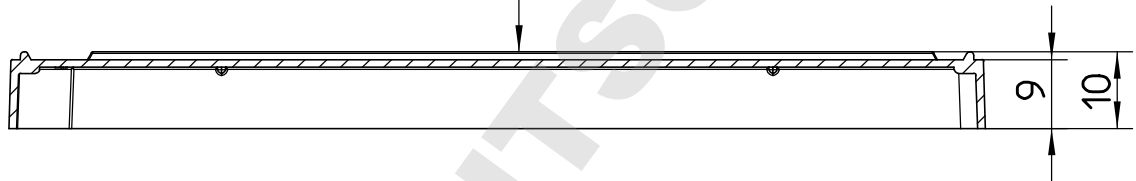
Uncontrolled Copy

| | | | | |
|-------------|--------------------|--------------------|--------------------|--|
| Prior Issue | Drawn | Approved | Released | CONFIDENTIAL: Information contained in this document or drawing is confidential and proprietary to Greiner Bio-One GmbH. This document may not be reproduced for any reason without written permission from Greiner Bio-One GmbH. All rights of design, invention, and copyright are reserved. |
| Revision | Date 2014/12/08 | Date 2017/02/10 | Date 2017/02/10 | |
| Date | Name schwarzj | Name kessler | Name sonntag | |

Valid for Item-No.: 650101, 650160, 650161, 650180, 650185



Curvature $+0,3$
 $-0,3$



Only Part No. 650180 und 650185 with lid

"All dimensions in mm"

Customer drawing subject to change without notice!

Uncontrolled Copy

| | | | | |
|-------------|--------------------|--------------------|--------------------|--|
| Prior Issue | Drawn | Approved | Released | CONFIDENTIAL: Information contained in this document or drawing is confidential and proprietary to Greiner Bio-One GmbH. This document may not be reproduced for any reason without written permission from Greiner Bio-One GmbH. All rights of design, invention, and copyright are reserved. |
| Revision | Date 2014/12/08 | Date 2017/02/10 | Date 2017/02/10 | |
| Date | Name schwarzj | Name kessler | Name sonntag | |