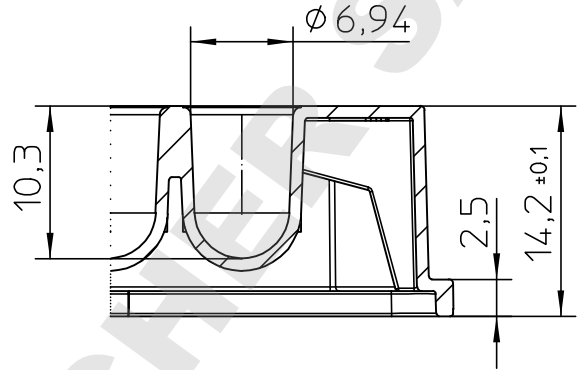
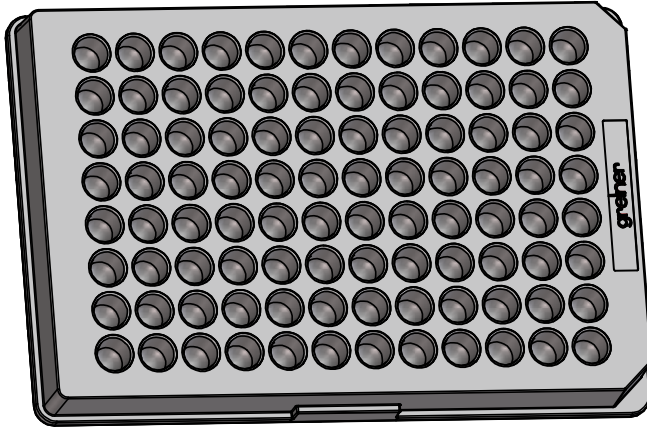
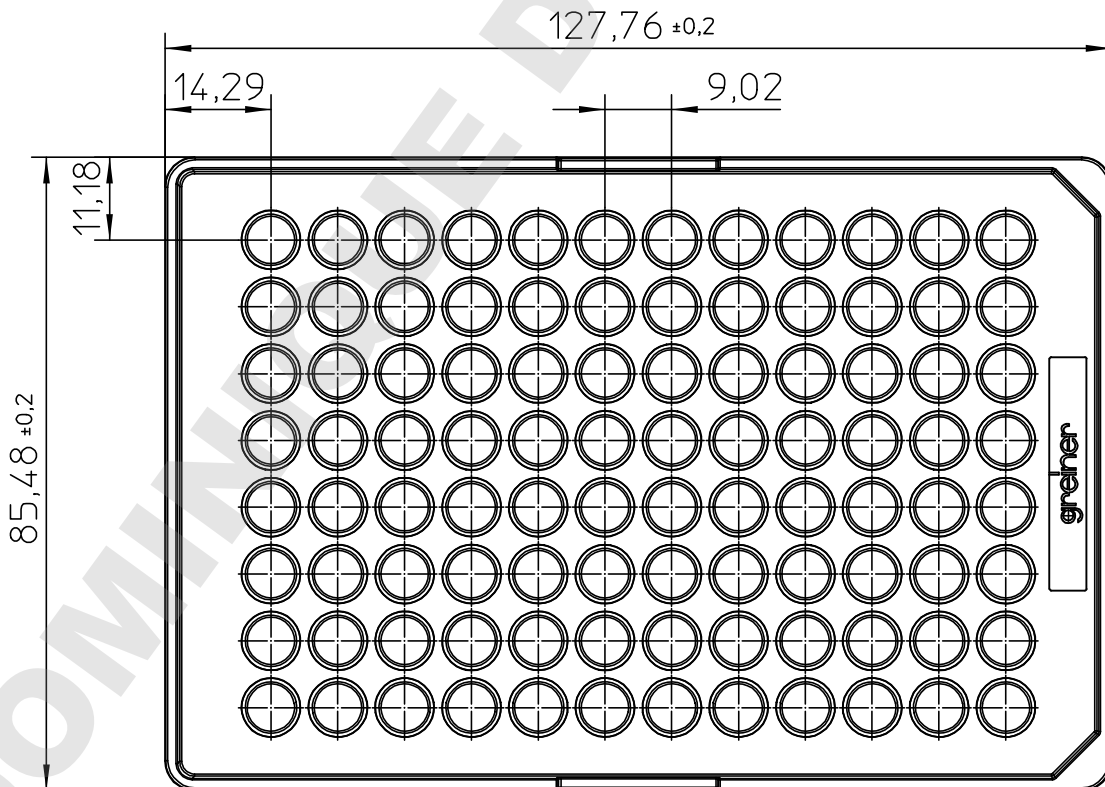


Valid for Item-No.: 650101, 650160, 650161, 650180, 650185



Curvature max.0,2



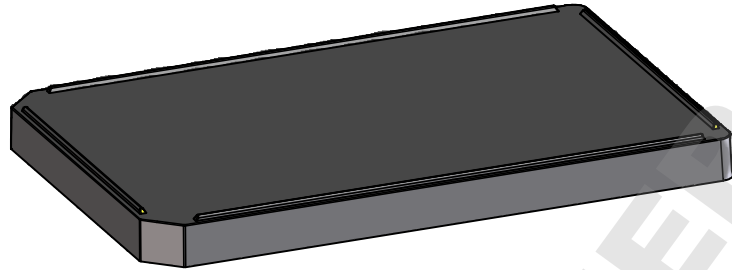
"All dimensions in mm"

Customer drawing subject to change without notice!

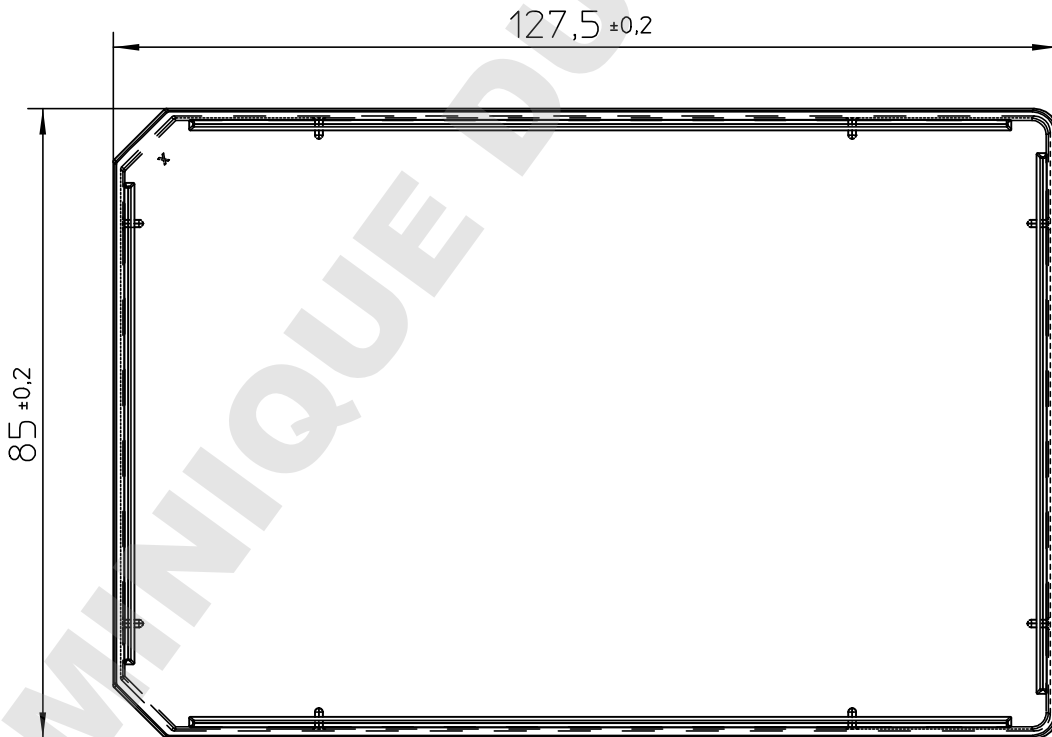
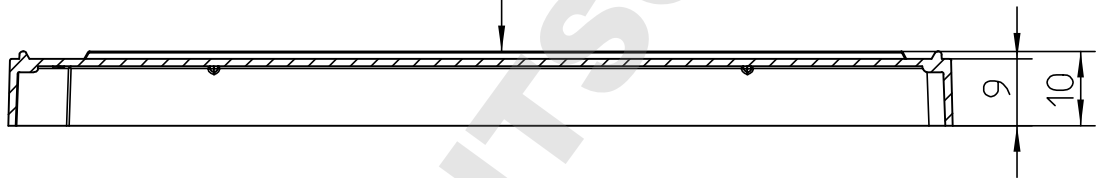
Uncontrolled Copy

Prior Issue	Drawn	Approved	Released	<small>CONFIDENTIAL: Information contained in this document or drawing is confidential and proprietary to Greiner Bio-One GmbH. This document may not be reproduced for any reason without written permission from Greiner Bio-One GmbH. All rights of design, invention, and copyright are reserved.</small>
Revision	Date 2014/12/08	Date 2014/12/08	Date 2014/12/08	
Date	Name schwarzj	Name schwarzj	Name sonntag	

Valid for Item-No.: 650101, 650160, 650161, 650180, 650185



Curvature $+0,3$
 $-0,3$



Only Part No. 650180 und 650185 with lid

"All dimensions in mm"
Customer drawing subject to change without notice!

Uncontrolled Copy

Prior Issue	Drawn	Approved	Released	CONFIDENTIAL: Information contained in this document or drawing is confidential and proprietary to Greiner Bio-One GmbH. This document may not be reproduced for any reason without written permission from Greiner Bio-One GmbH. All rights of design, invention, and copyright are reserved.
Revision	Date 2014/12/08	Date 2014/12/08	Date 2014/12/08	
Date	Name schwarzj	Name schwarzj	Name sonntag	